

Ordering Information

Applicable product:		
Right hand pump	K-1424-H	shown
Left hand pump	K-1434-H	not shown
Accessories/hardware:		
Jet trim kit	K-9697	required
Drain	K-7161-AF	recommended
Removable pillow	K-1491	optional

Required Electrical Service

Dedicated circuit required, protected with Class A Ground-Fault Circuit-Interrupter (GFCI):	
Pump/control	120 V., 20 A, 60 Hz

Product Information

Fixture*:	basin area	top area	weight
Bathing well	1245 x 635mm	1676 x 737mm	50 Kg.
	water depth	capacity	
To overflow	343mm	295 litres	

* Approximate measurements for comparison only.

Pump:	high HP	low HP	V	Hz	A
2-speed	1	1/8	120	60	16.5

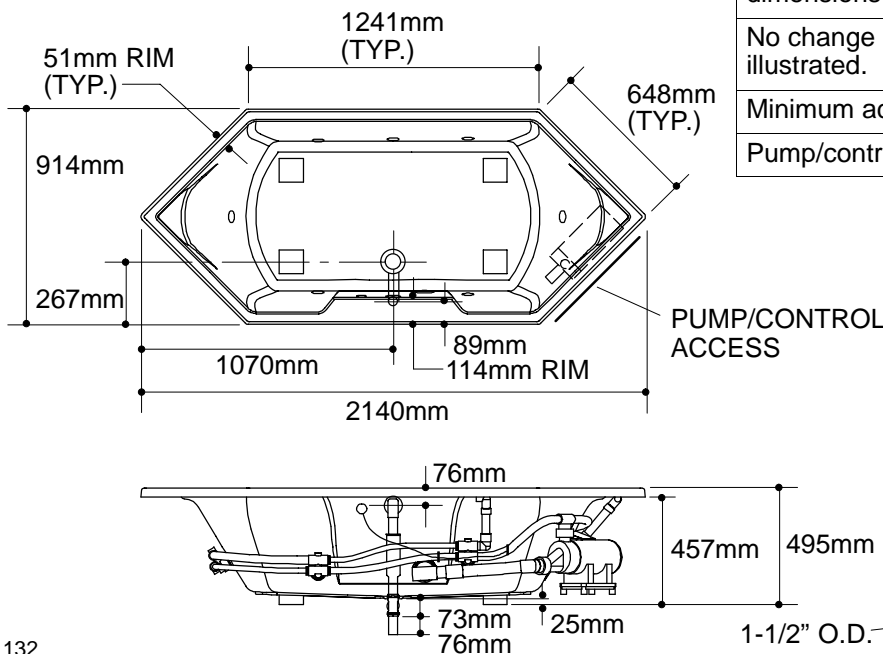
Included Components:	
Cutout template	116165-7

Installation Notes

Refer to installation instructions included with fixture before beginning installation.

If installing a rim-mount faucet, make sure there is no interference with drain overflow and circulating system before drilling any holes. Consult local and national codes for minimum air gap requirements if installing a spout on the faucet deck.

Each pump is supplied with a grounding type plug-in cord. Locate the outlet behind the whirlpool, and within 610mm of the pump.



Roughing-In Notes

Fixture conforms to ANSI Standard Z124.1. All dimensions are nominal.

No change in measurements if connected with drain illustrated.

Minimum access panel:

Pump/control	508mm W x 381mm H	required
--------------	-------------------	----------

