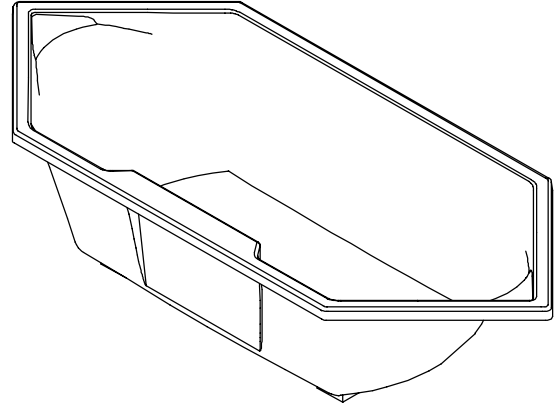


FEATURES

- 84-1/4" x 36" x 19-1/2"
- Acrylic
- Optional K-1491 removable pillow



CODES/STANDARDS APPLICABLE

Specified model meets or exceeds the following:

- ANSI Z124.1
- IAPMO/UPC
- Canadian Standards Association (CSA)
- State of Massachusetts

COLORS/FINISHES

- 0 White
- Other Refer to Fixtures Price Book for additional colors

Accessories:

- CP Polished Chrome
- PB Polished Brass
- Other Refer to Faucets Price Book for additional finishes

SPECIFIED MODEL:

Model	Description	Colors/Finishes		
K-1419	Bath	<input type="checkbox"/> 0 White	<input type="checkbox"/> Other_____	
Recommended Accessories				
K-7161-AF	Drain	<input type="checkbox"/> CP	<input type="checkbox"/> PB	<input type="checkbox"/> Other_____
Optional Accessories				
K-1491	Pillow (removable)	<input type="checkbox"/> 0 White	<input type="checkbox"/> Other_____	

PRODUCT SPECIFICATION:

The bath shall be 84-1/4" in length, 36" in width, and 19-1/2" in height. Bath shall be made of acrylic. Bath shall have optional K-1491 removable pillow. Bath shall be Kohler Model K-1419-_____.

BRIOLETTE™

PRODUCT INFORMATION

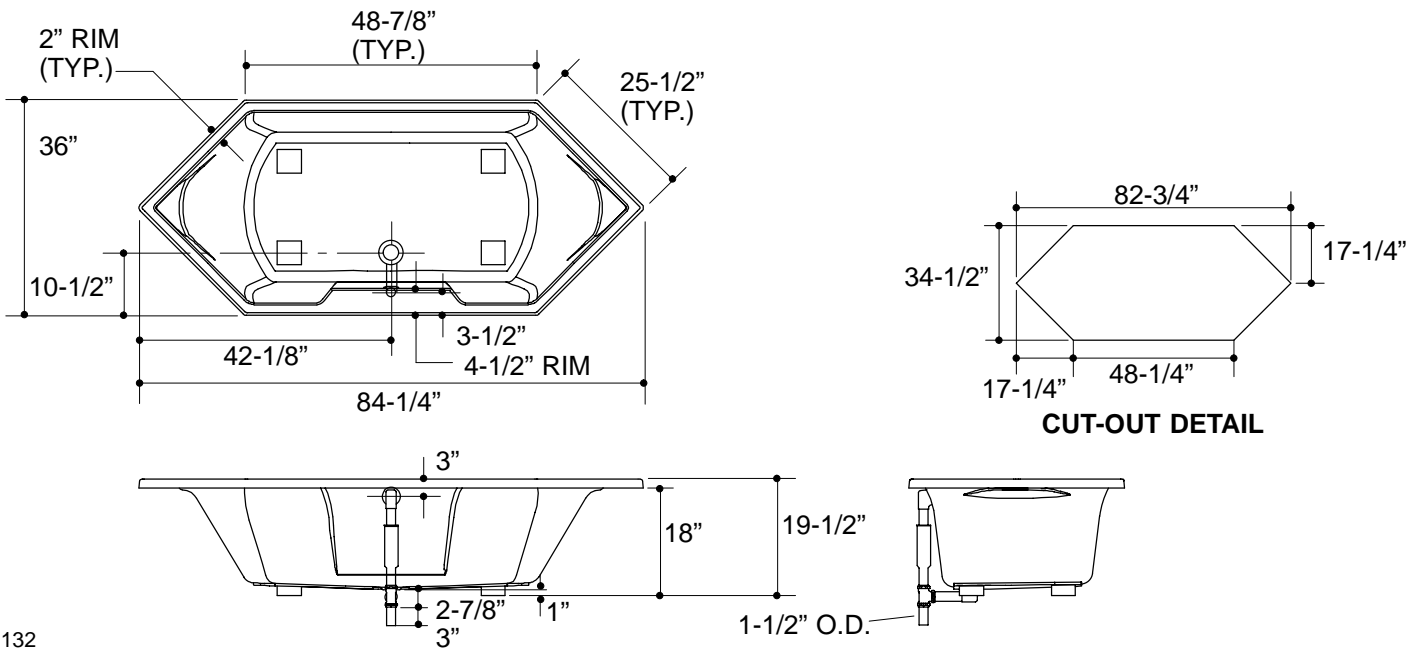
Fixture*:	basin area	top area	weight
Bathing well	49" x 25"	66" x 29"	80 lbs.
	water depth	capacity	
To overflow	13-1/2"	78 gal.	
* Approximate measurements for comparison only.			
Included Components:			
Cutout template	116165-7		

INSTALLATION NOTES

If installing a rim-mount faucet, make sure there is no interference with drain overflow before drilling any holes. Consult local and national codes for minimum air gap requirements if installing a spout on the faucet deck.

Roughing-In Notes

No change in measurements if connected with drain illustrated.



132

PRODUCT DIAGRAM