

Ordering Information

Accessories/hardware:		
Drain	K-7161-AF	recommended
Removable pillow	K-1491	optional

Product Information

Fixture*:	basin area	top area	weight
Bathing well	1245 x 635mm	1676 x 737mm	36 Kg.
	water depth	capacity	
To overflow	343mm	295 litres	

* Approximate measurements for comparison only.

Included Components:	
Cutout template	116165-7

Installation Notes

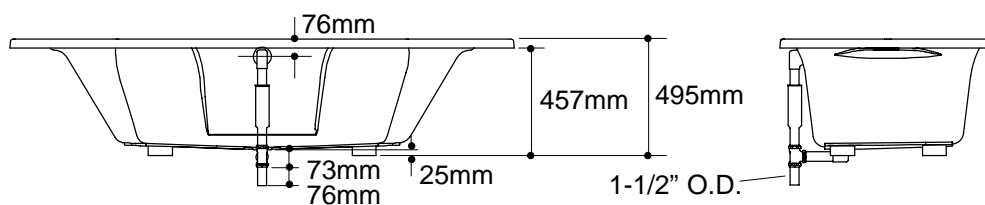
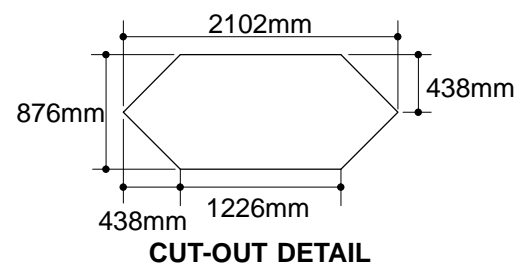
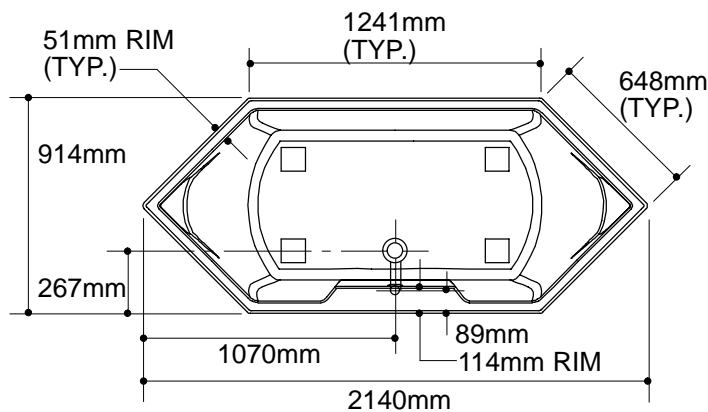
Refer to installation instructions included with fixture before beginning installation.

If installing a rim-mount faucet, make sure there is no interference with drain overflow before drilling any holes. Consult local and national codes for minimum air gap requirements if installing a spout on the faucet deck.

Roughing-In Notes

Fixture conforms to ANSI Standard Z124.1. All dimensions are nominal.

No change in measurements if connected with drain illustrated.



132