

Ordering Information

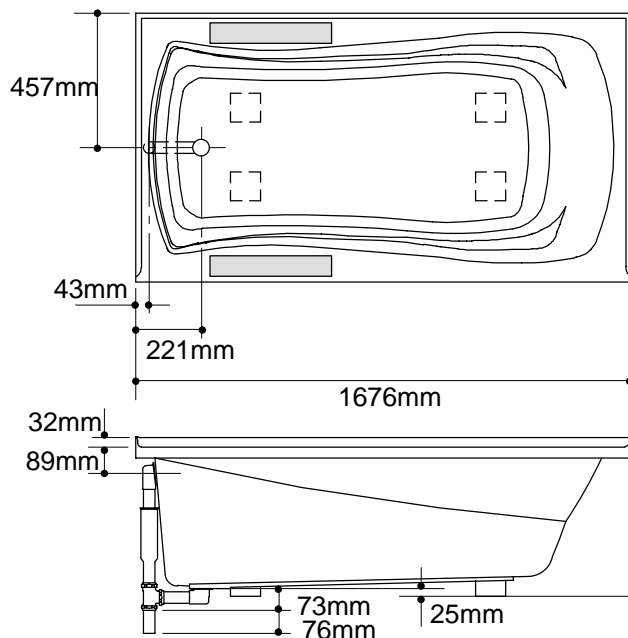
Applicable product:		
Left outlet, integral flange	K-1229-L	shown
Right outlet, integral flange	K-1229-R	not shown
Drop-in rim style	K-1229	not shown
Accessories/hardware:		
Apron	K-1234	optional
Pillow	K-1491	optional
Drain	K-7161-AF	recommended

Product Information

Fixture*:	basin area	top area	weight
Bathing well	1219 x 610mm	1499 x 762mm	29 Kg.
	water depth	capacity	
To overflow	356mm	254 litres	
* Approximate measurements for comparison only.			

Installation Notes

Refer to installation instructions included with fixture before beginning installation.

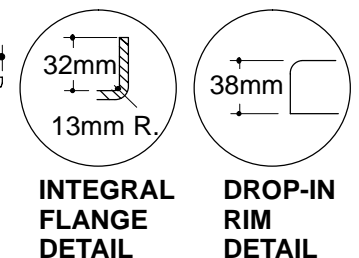


Roughing-In Notes

Fixture conforms to ANSI Standard Z124.1. All dimensions are nominal.

No change in measurements if connected with drain illustrated.

Cut-out	K-1229 drop-in rim style, 1626 x 864mm	
Faucet area		recommended



1.25>132

1-1/2" O.D.