

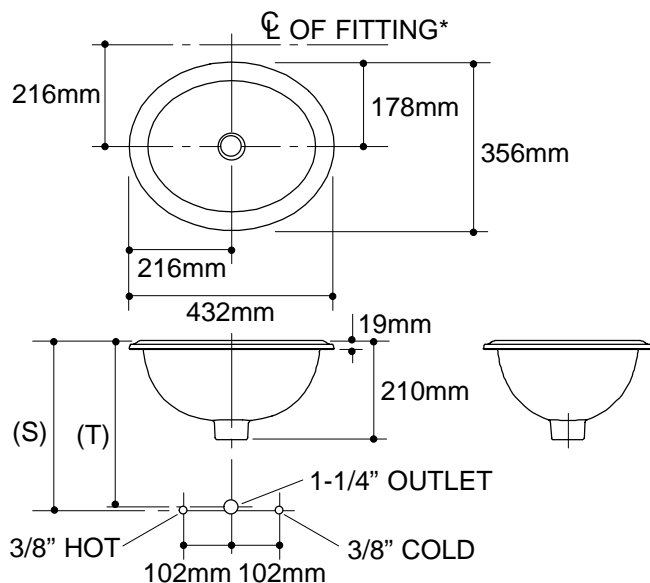
**Product Information**

Fixture*:		basin area	water depth
Lavatory		356 x 279mm	140mm
Outlet	Ø44mm		
* Approximate measurements for comparison only.			

Included Components:	
Adhesive sealant	63034
Adjustable linkage	40372
Cutout template	116213-7

**Installation Notes**

Refer to installation instructions included with fixture before beginning installation.



<b>Roughing-In Notes</b>
Fixture dimensions are nominal and conform to tolerances in ASME Standard A112.19.2M.
(T) Pop-up drain 352mm.
(S) 356mm (Based on 305mm riser which may require cutting).
*Spout must be 114mm long (min.) for adequate clearance into lavatory.