

VALVE SYSTEM
K-P15708-K
PROJECT PACK

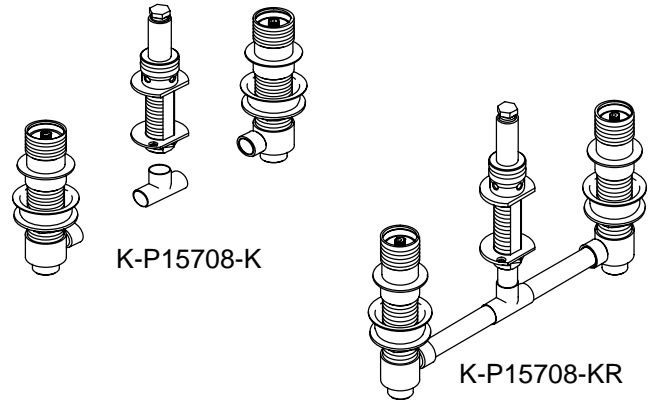
FEATURES

- Bath- or deck-mount
- Brass valve bodies
- 1/2" quarter-turn washerless ceramic disc valves
- High-flow valving
- Optional 8" rigid connections
- Packaged six per case

CODES/STANDARDS APPLICABLE

Specified model meets or exceeds the following:

- ASME/ANSI A112.18.1M
- CSA B125
- IAPMO/UPC



COLORS/FINISHES

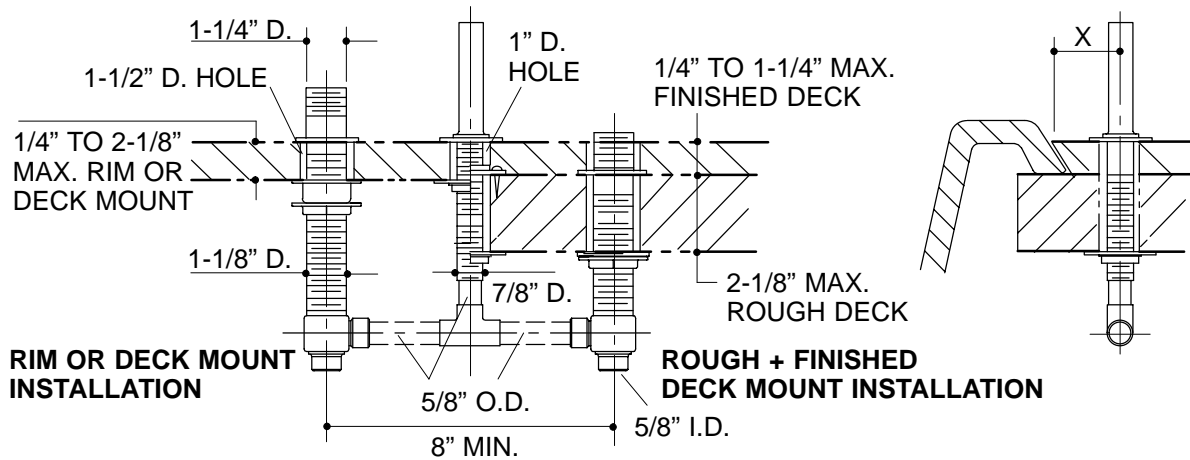
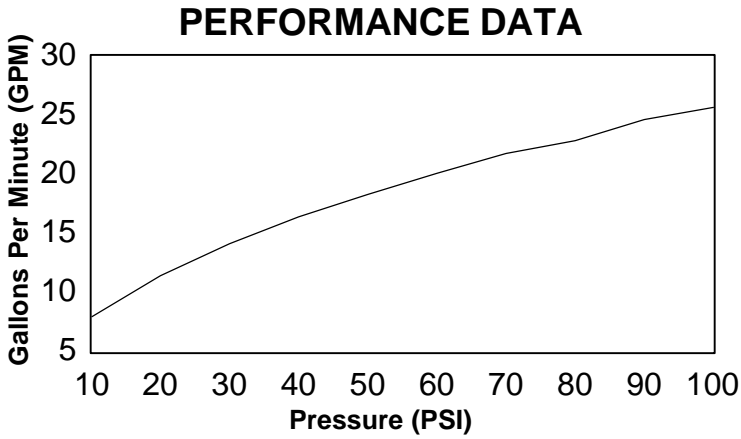
- NA Not applicable

SPECIFIED MODEL: For complete faucet, both faucet trim and valve system must be specified.

Model	Description	
K-P15708-K	1/2" Ceramic Disc Valve System; Less Connections	<input type="checkbox"/> NA
K-P15708-KR	1/2" Ceramic Disc Valve System; With 8" Rigid Connections	<input type="checkbox"/> NA

PRODUCT SPECIFICATION:

Two-handle bath- or deck-mount 1/2" valve system shall feature brass valve bodies. Faucet shall feature 1/2" quarter-turn washerless ceramic disc valves, assuring positive handle stop positioning. High-flow valving allows water to flow 16-18 gpm at 45 psi. Optional feature shall be 8" rigid connections. Valve system shall be Kohler Model K-P15708-____-NA and faucet trim shall be Kohler Model K-P15290-CP. Project Pack valves and trim are packaged six per case.



316

Roughing-In Notes
X= Distance from centerline of spout inlet to front of spout base plus 1/2".
For installations on a rough (unfinished) deck to be covered later with tile, tile thickness must not exceed 1-1/4".

PRODUCT DIAGRAM