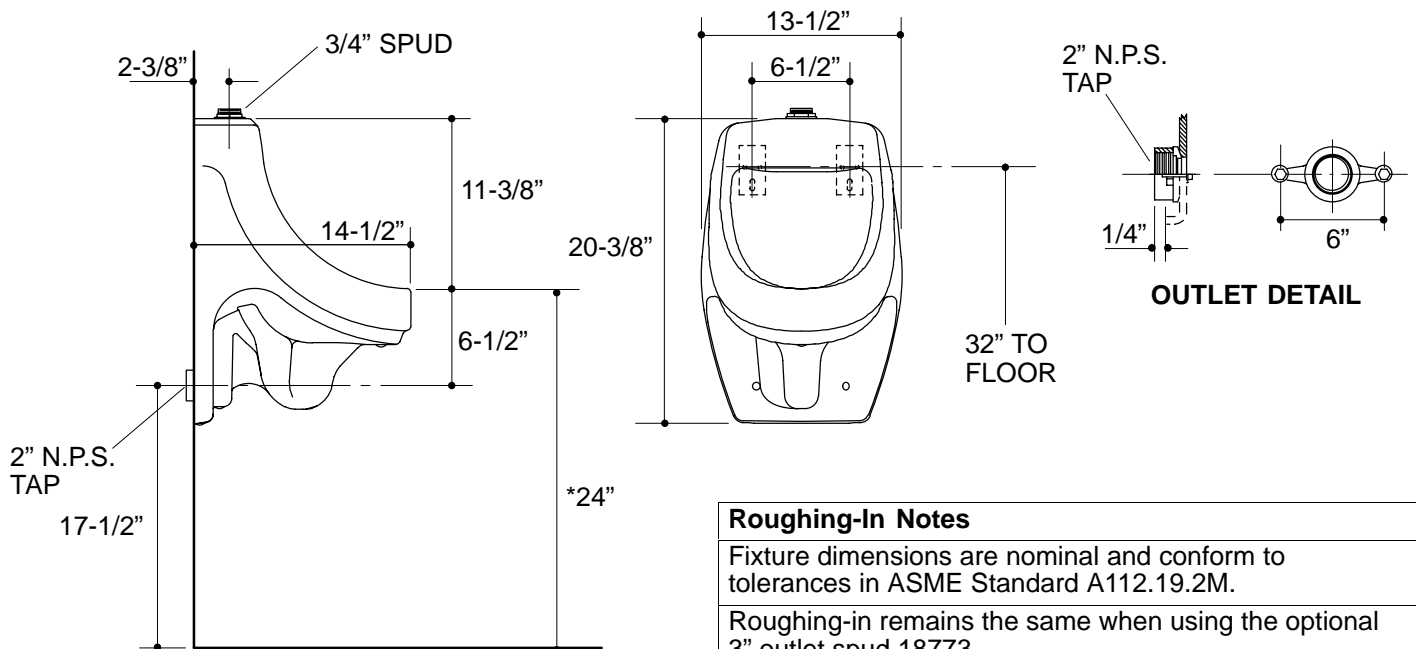


### Ordering Information

Accessories/hardware:		
3" outlet spud	18773	optional

### Product Information

<b>ADA compliant.</b>	
Fixture:	
Configuration	Top spud
Spud inlet size	3/4"
Gallons per flush	< 1 gallon*
*Designed to flush with less than one gallon of water when installed with a water saving flush valve.	
Included Components:	
3/4" inlet spud	18376
2" outlet spud	18766
Hanger (2 required)	64512
Flush valve requirements: Refer to manufacturer's instructions and local codes.	



#### Roughing-In Notes

Fixture dimensions are nominal and conform to tolerances in ASME Standard A112.19.2M.

Roughing-in remains the same when using the optional 3" outlet spud 18773.

\*Urinal complies with ADA requirement when rim is mounted no higher than 17" from finished floor.

1.25>116