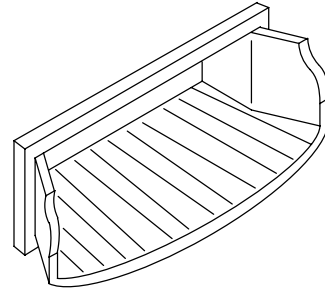


FEATURES

- 13-1/2" x 3-3/4" x 4-7/8"
- Clear polyurethane waterfall
- Lighted waterfall
- Manual control touch pad
- Recirculating pump kit delivers flows up to 80 gallons per minute of powerful hydro-massage
- Order one Waterfall, pump kit, and drain for each complete BodySpa custom installation
- For indoor use only



CODES/STANDARDS

Specified model meets or exceeds the following:

- None applicable

COLORS/FINISHES

- CP Polished Chrome
- PB Polished Brass
- 0 White

Accessories:

- CP Polished Chrome
- PB Polished Brass
- 0 White

SPECIFIED MODEL:

Model	Description	Colors/Finishes		
		<input type="checkbox"/> CP	<input type="checkbox"/> PB	<input type="checkbox"/> 0 White
K-1002	BodySpa Waterfall	<input type="checkbox"/> CP	<input type="checkbox"/> PB	<input type="checkbox"/> 0 White
Required Accessories				
K-1003	BodySpa custom Waterfall pump kit	<input type="checkbox"/> CP	<input type="checkbox"/> PB	<input type="checkbox"/> 0 White
Recommended Accessories				
K-7179	BodySpa custom drain	<input type="checkbox"/> CP	<input type="checkbox"/> PB	

PRODUCT SPECIFICATION:

The Waterfall shall be 13-1/2" in width, 4-78" in height, and 3-3/4" in depth. Waterfall shall be made of clear polyurethane. Waterfall shall be lighted. Waterfall shall have manual control touch pad. Recirculating pump kit shall deliver flows up to 80 gallons per minute of powerful hydro-massage. Waterfall shall be configured with pump kit and custom drain or equivalent. Waterfall shall be Kohler Model K-1002-_____.

BODYSPA

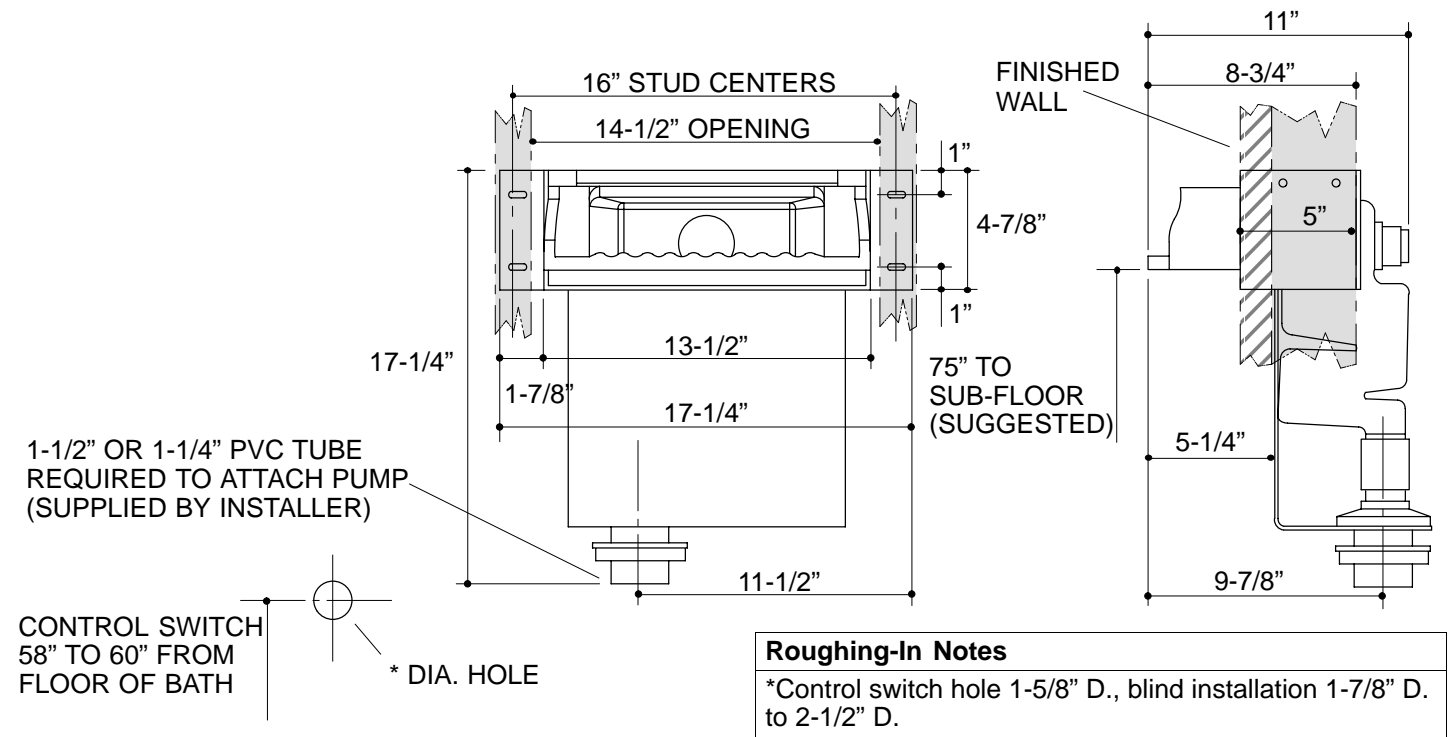
PRODUCT INFORMATION

Fixture:	
Weight	5 lbs.

INSTALLATION NOTES

Locate control switch so the 6' control cable is within reach of the control box.

1-1/2" or 1-1/4" nominal PVC pipe approximately 48" long supplied by installer, must be used to complete plumbing to pump kit.



PRODUCT DIAGRAM