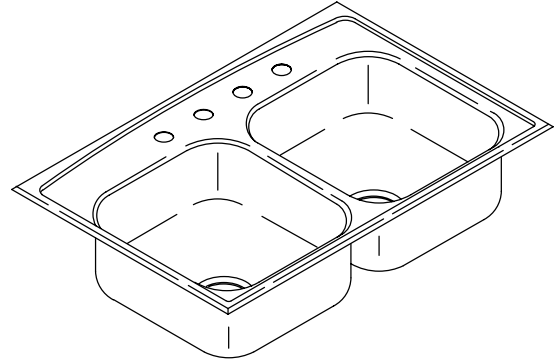


### SELF-RIMMING KITCHEN SINK

# K-3346

#### FEATURES

- 33" x 22"
- 20 gauge stainless steel
- Self-rimming
- Double (equal) compartment
- 3-hole (K-3346-3) or 4-hole (K-3346-4) faucet punching
- Includes installation hardware
- Highlighted bowl bead



#### CODES/STANDARDS APPLICABLE

Specified model meets or exceeds the following:

- ASME/ANSI A112.19.3M
- IAPMO/UPC

#### COLORS/FINISHES

- NA None Applicable

#### Accessories:

- CP Polished Chrome
- NA None Applicable
- Other Refer to Price Book for additional finishes

#### SPECIFIED MODEL:

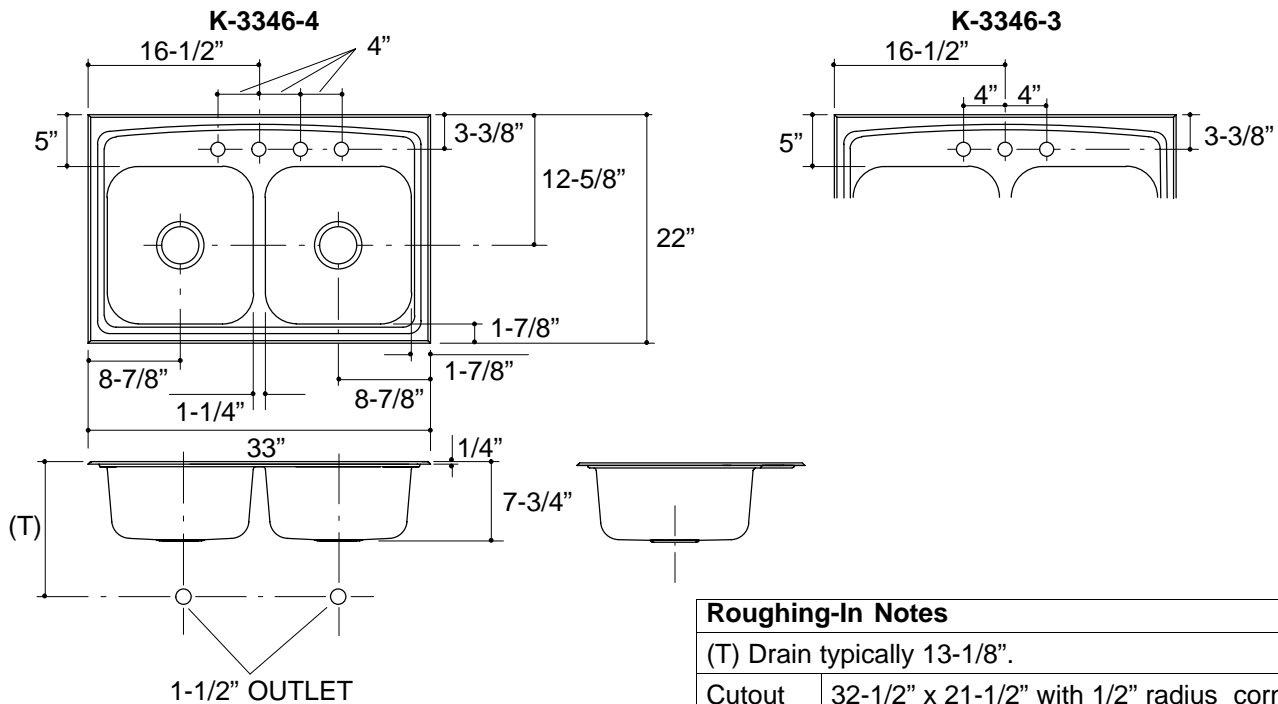
Model	Description	Colors/Finishes
K-3346-3	3-hole sink	<input type="checkbox"/> NA
K-3346-4	4-hole sink	<input type="checkbox"/> NA
<b>Optional Accessories</b>		
K-3293	Hardwood cutting board	<input type="checkbox"/> NA
K-8801	Duostrainer sink strainer	<input type="checkbox"/> CP <input type="checkbox"/> Other_____

#### PRODUCT SPECIFICATION:

The self-rimming sink shall be 33" in length, and 22" in width. Sink shall be made of 20 gauge stainless steel. Sink shall be double (equal) compartment. Sink shall be 3-hole (K-3346-3), or 4-hole (K-3346-4) faucet punched. Sink shall include installation hardware. Sink shall have highlighted bowl bead. Sink shall be Kohler Model K-3346-\_\_\_\_\_-\_\_\_\_\_-\_\_\_\_\_.

## PRODUCT INFORMATION

Fixture*:		basin area	water depth
Sink		14" x 15"	7"
Outlet	3-5/8" D.		
Faucet holes	1-7/16" D.		
* Approximate measurements for comparison only.			
Included Components:			
Fastener kit		66407	



.85<116

## PRODUCT DIAGRAM