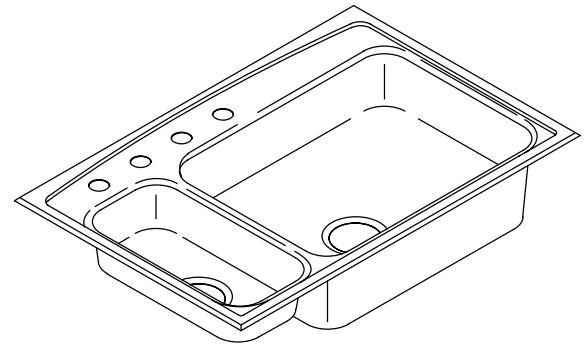


SELF-RIMMING KITCHEN SINK

K-3347

FEATURES

- 33" x 22"
- 20 gauge stainless steel
- Self-rimming
- Double (high/low) compartment
- 3-hole (K-3347R-3, K-3347L-3), or 4-hole (K-3347R-4, K-3347L-4) faucet punching
- Disposal basin available on right or left side
- Includes installation hardware
- Highlighted bowl bead



CODES/STANDARDS APPLICABLE

Specified model meets or exceeds the following:

- ASME/ANSI A112.19.3M
- IAPMO/UPC

COLORS/FINISHES

- NA None Applicable

Accessories:

- CP Polished Chrome
- NA None Applicable
- Other Refer to Price Book for additional finishes

SPECIFIED MODEL:

Model	Description	Colors/Finishes
K-3347R-3	3-hole sink with disposal basin on right side	<input type="checkbox"/> NA
K-3347L-3	3-hole sink with disposal basin on left side	<input type="checkbox"/> NA
K-3347R-4	4-hole sink with disposal basin on right side	<input type="checkbox"/> NA
K-3347L-4	4-hole sink with disposal basin on left side	<input type="checkbox"/> NA

Optional Accessories		
K-3293	Hardwood cutting board	<input type="checkbox"/> NA
K-8801	Duostrainer sink strainer	<input type="checkbox"/> CP <input type="checkbox"/> Other_____

PRODUCT SPECIFICATION:

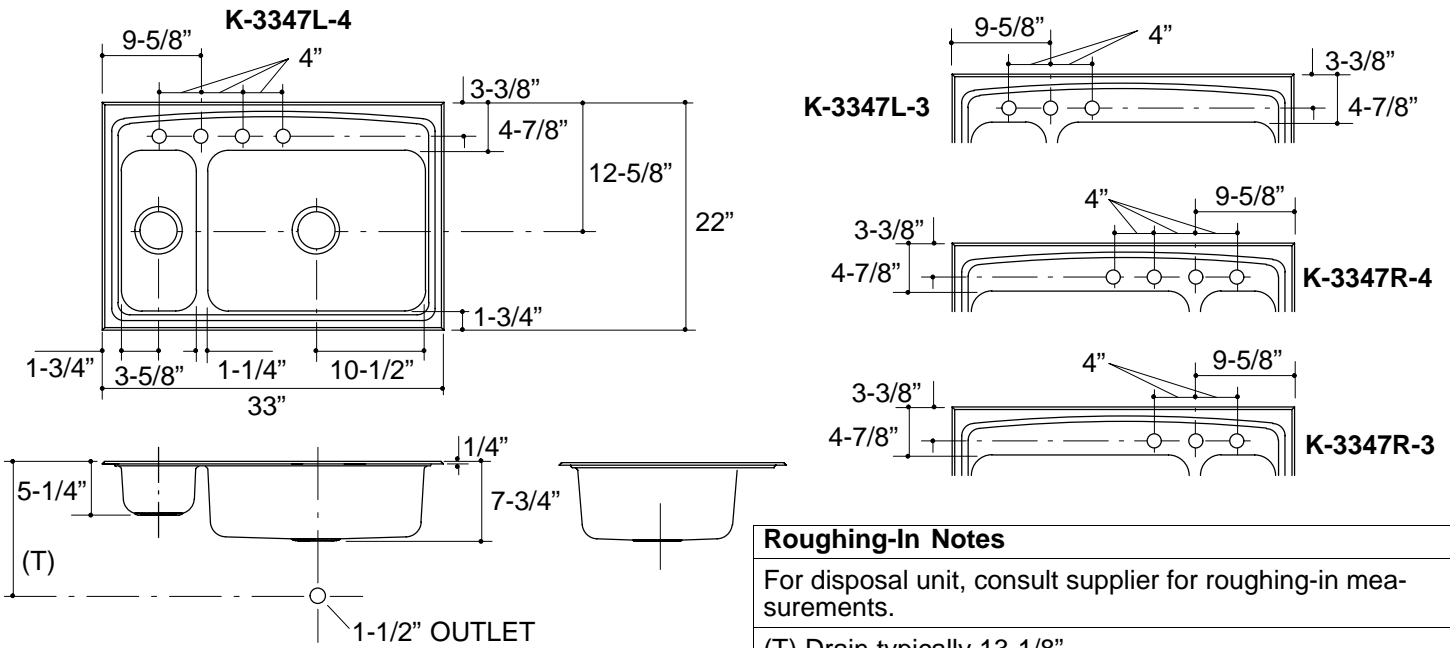
The self-rimming sink shall be 33" in length, and 22" in width. Sink shall be made of 20 gauge stainless steel. Sink shall be double (high/low) compartment. Sink shall be 3-hole (K-3347R-3, K-3347L-3), or 4-hole (K-3347R-4, K-3347L-4) faucet punched. Sink shall have disposal basin available on right or left side. Sink shall include installation hardware. Sink shall have highlighted bowl bead. Sink shall be Kohler Model K-3347____-_____-_____.

TOCCATA™

PRODUCT INFORMATION

Fixture*:		basin area	water depth
Sink		21" x 15"	7"
Disposal		7" x 15"	4-1/2"
Outlet	3-5/8" D.		
Faucet holes	1-7/16" D.		
* Approximate measurements for comparison only.			

Included Components:	
Fastener kit	66407



Roughing-In Notes	
For disposal unit, consult supplier for roughing-in measurements.	
(T) Drain typically 13-1/8".	
Cutout	32-1/2" x 21-1/2" with 1/2" radius corners.

.85<116

PRODUCT DIAGRAM