

SELF-RIMMING KITCHEN SINK

K-3348

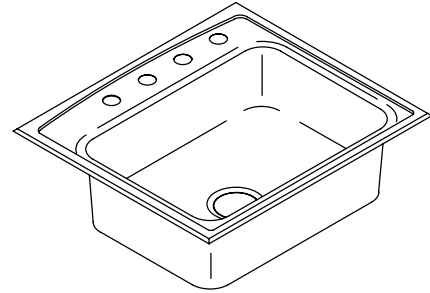
FEATURES

- 25" x 22"
- 20 gauge stainless steel
- Self-rimming
- Single compartment
- 3-hole (K-3348-3) or 4-hole (K-3348-4) faucet punching
- Includes installation hardware
- Highlighted bowl bead

CODES/STANDARDS APPLICABLE

Specified model meets or exceeds the following:

- ASME/ANSI A112.19.3M
- IAPMO/UPC



COLORS/FINISHES

- NA None Applicable

Accessories:

- CP Polished Chrome
- NA None Applicable
- Other Refer to Price Book for additional finishes

SPECIFIED MODEL:

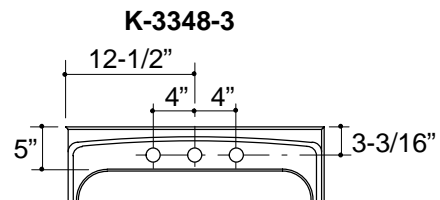
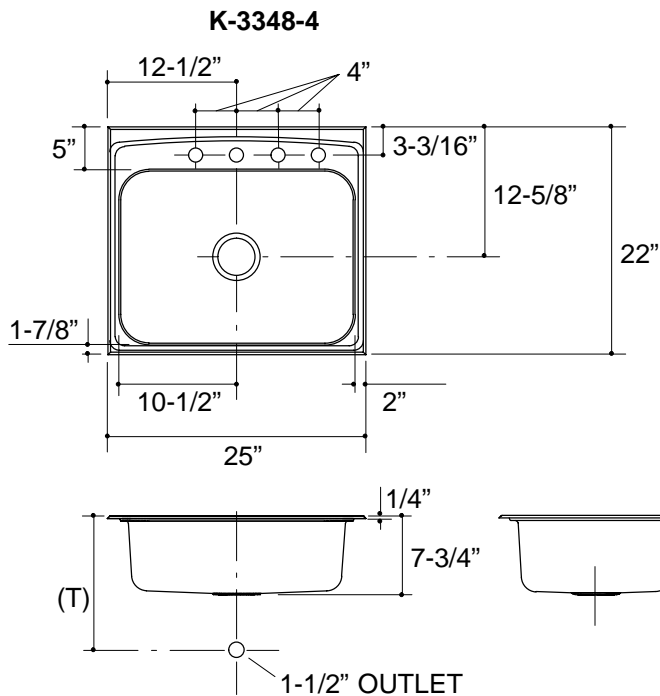
| Model | Description | Colors/Finishes |
|-----------------------------|---------------------------|---|
| K-3348-3 | 3-hole sink | <input type="checkbox"/> NA |
| K-3348-4 | 4-hole sink | <input type="checkbox"/> NA |
| Optional Accessories | | |
| K-3293 | Hardwood cutting board | <input type="checkbox"/> NA |
| K-8801 | Duostrainer sink strainer | <input type="checkbox"/> CP <input type="checkbox"/> Other_____ |

PRODUCT SPECIFICATION:

The self-rimming sink shall be 25" in length, and 22" in width. Sink shall be made of 20 gauge stainless steel. Sink shall be single compartment. Sink shall be 3-hole (K-3348-3), or 4-hole (K-3348-4) faucet punched. Sink shall include installation hardware. Sink shall have highlighted bowl bead. Sink shall be Kohler Model K-3348-_____-_____-_____.

PRODUCT INFORMATION

| | | | |
|---|------------|------------|-------------|
| Fixture*: | | basin area | water depth |
| Sink | | 21" x 15" | 7" |
| Outlet | 3-5/8" D. | | |
| Faucet holes | 1-7/16" D. | | |
| * Approximate measurements for comparison only. | | | |
| Included Components: | | | |
| Fastener kit | | 66407 | |



Roughing-In Notes

(T) Drain typically 13-1/8".

Cutout 24-1/2" x 21-1/2" with 1/2" radius corners.

.85<116

PRODUCT DIAGRAM