

### Ordering Information

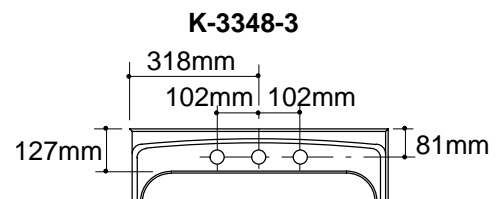
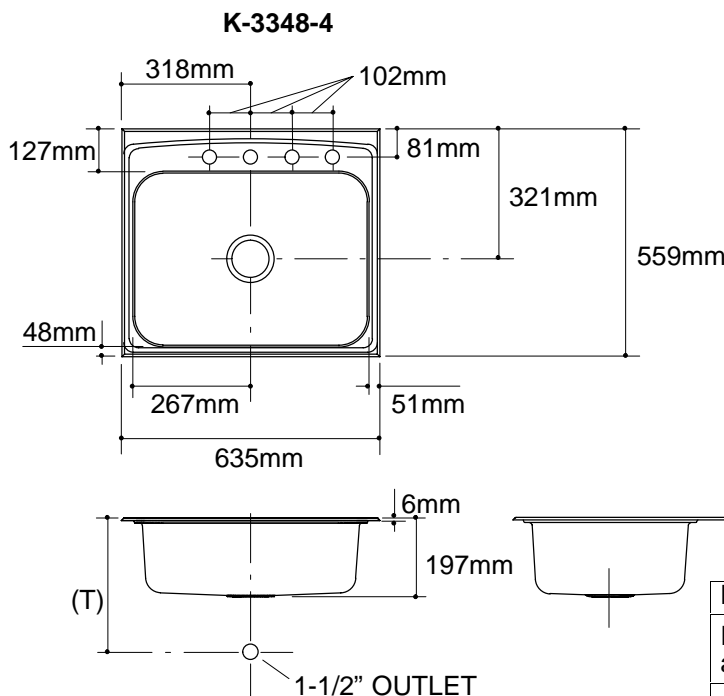
Applicable product:		
Four-hole sink	K-3348-4	shown
Three-hole sink	K-3348-3	not shown
Accessories/hardware:		
Hardwood cutting board	K-3293	optional

### Product Information

Fixture*:		basin area	water depth
Sink		533 x 381mm	178mm
Outlet	Ø92mm		
Faucet holes	Ø37mm		
* Approximate measurements for comparison only.			
Included Components:			
Fastener kit			66407

### Installation Notes

Refer to installation instructions included with fixture before beginning installation.



#### Roughing-In Notes

Fixture dimensions are nominal and conform to tolerances in ASME/ANSI Standard A112.19.3M.

(T) Drain typically 333mm.

Cutout 622 x 546mm with 13mm radius corners.

.85<116