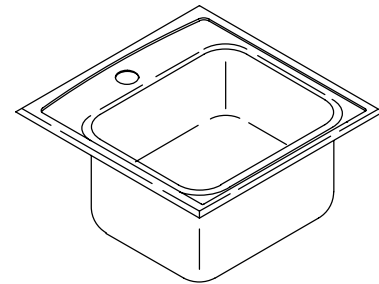


### SELF-RIMMING ENTERTAINMENT SINK

# K-3349

#### FEATURES

- 15" x 15"
- 20 gauge stainless steel
- Self-rimming
- Single compartment
- Single-hole (K-3349-1) or 2-hole (K-3349-2) faucet punching
- Includes installation hardware
- Highlighted bowl bead



#### CODES/STANDARDS APPLICABLE

Specified model meets or exceeds the following:

- ASME/ANSI A112.19.3M
- IAPMO/UPC

#### COLORS/FINISHES

- NA None Applicable

#### Accessories:

- CP Polished Chrome
- NA None Applicable
- Other Refer to Price Book for additional finishes

#### SPECIFIED MODEL:

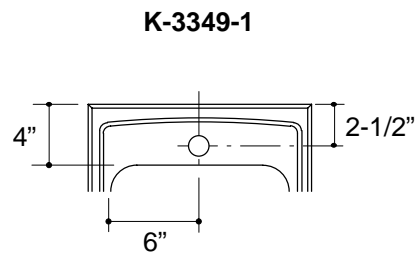
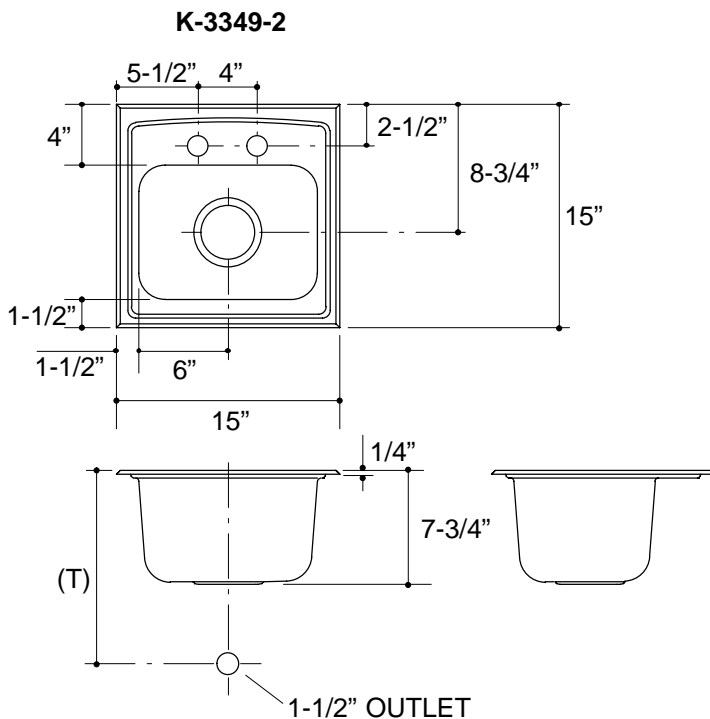
Model	Description	Colors/Finishes	
K-3349-1	Single-hole sink	<input type="checkbox"/> NA	
K-3349-2	2-hole sink	<input type="checkbox"/> NA	
Optional Accessories			
K-8801	Duostrainer sink strainer	<input type="checkbox"/> CP	<input type="checkbox"/> Other_____

#### PRODUCT SPECIFICATION:

The self-rimming sink shall be 15" in length, and 15" in width. Sink shall be made of 20 gauge stainless steel. Sink shall be single compartment. Sink shall be single-hole (K-3349-1), or 2-hole (K-3349-2) faucet punched. Sink shall include installation hardware. Sink shall have highlighted bowl bead. Sink shall be Kohler Model K-3349-\_\_\_\_\_-\_\_\_\_\_-\_\_\_\_\_.

## PRODUCT INFORMATION

Fixture*:		basin area	water depth
Sink		12" x 10"	7"
Outlet	3-5/8" D.		
Faucet holes	1-7/16" D.		
* Approximate measurements for comparison only.			
Included Components:			
Fastener kit		90208	



### Roughing-In Notes

(T) Drain typically 13-1/8".

Cutout 14-1/2" x 14-1/2" with 1/2" radius corners.

1.25>116

## PRODUCT DIAGRAM