

Ordering Information

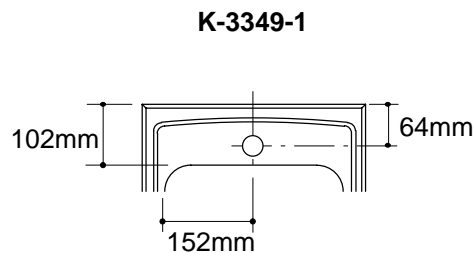
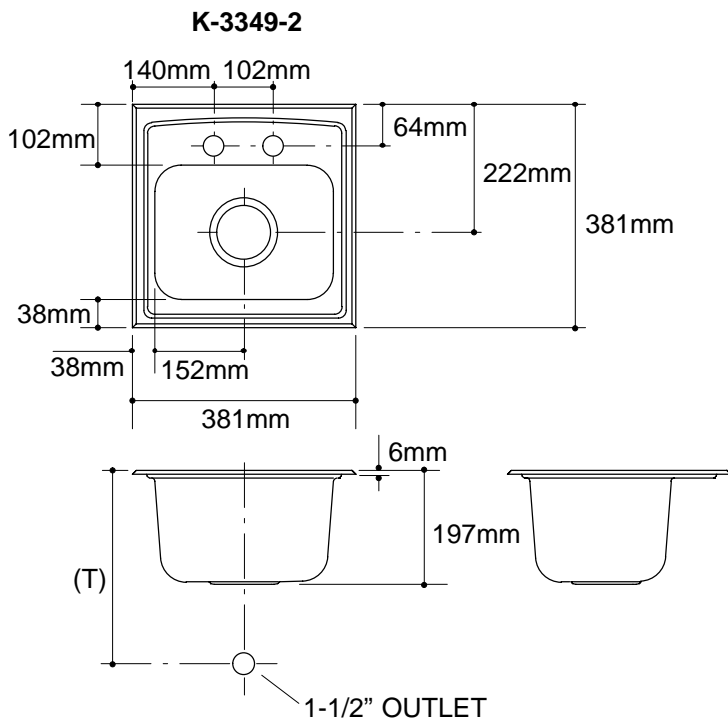
Applicable product:		
Two-hole sink	K-3349-2	shown
Single-hole sink	K-3349-1	not shown

Product Information

Fixture*:		basin area	water depth
Sink		305 x 254mm	178mm
Outlet	Ø92mm		
Faucet holes	Ø37mm		
* Approximate measurements for comparison only.			
Included Components:			
Fastener kit			90208

Installation Notes

Refer to installation instructions included with fixture before beginning installation.



Roughing-In Notes

Fixture dimensions are nominal and conform to tolerances in ASME/ANSI Standard A112.19.3M.

(T) Drain typically 333mm.

Cutout 368 x 368mm with 13mm radius corners.

1.25>116