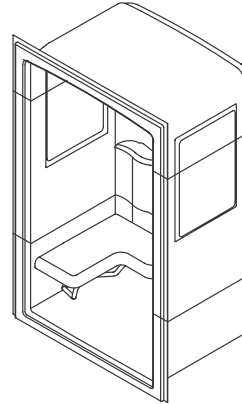


BARRIER-FREE MULTI-PIECE SHOWER STALL

K-12211, K-12212



FEATURES

- 44-3/8" x 37-3/8" x 81-9/16" inside finished dimensions
- 52" x 37-1/2" x 84" rough-in dimensions
- Fold-up seat left or right
- Slip-resistant floor
- Nylon grab bars and folding seat (-N), grey bars and seat supplied with White and Biscuit modules, white bars and seat supplied with others
- Brushed stainless steel grab bars and folding seat frame (-C)
- Polished stainless steel grab bars and folding seat frame (-P)
- Acrylic
- Integral soap ledges
- "Pit" installation option detailed in instructions
- Three-piece design for remodeling installation

CODES/STANDARDS APPLICABLE

Specified model meets or exceeds the following:

- ANSI Z124.2

COLORS/FINISHES

- 0 White
- Other Refer to Fixtures Price Book for additional colors

Accessories:

- CP Polished Chrome
- PB Polished Brass
- SH Bright Silver
- BH Bright Brass
- Other Refer to Fixtures Price Book for additional finishes
- NA None Applicable

SPECIFIED MODEL:

Model	Description	Module Colors/Finishes	
K-12211-N	Stall with fold-up seat on left (nylon grab bars)	<input type="checkbox"/> 0 White	<input type="checkbox"/> Other_____
K-12211-C	Stall with fold-up seat on left (brushed stainless steel grab bars)	<input type="checkbox"/> 0 White	<input type="checkbox"/> Other_____
K-12211-P	Stall with fold-up seat on left (polished stainless steel grab bars)	<input type="checkbox"/> 0 White	<input type="checkbox"/> Other_____
K-12212-N	Stall with fold-up seat on right (nylon grab bars)	<input type="checkbox"/> 0 White	<input type="checkbox"/> Other_____
K-12212-C	Stall with fold-up seat on right (brushed stainless steel grab bars)	<input type="checkbox"/> 0 White	<input type="checkbox"/> Other_____
K-12212-P	Stall with fold-up seat on right (polished stainless steel grab bars)	<input type="checkbox"/> 0 White	<input type="checkbox"/> Other_____

Recommended Accessories				
K-9132	Drain	<input type="checkbox"/> CP	<input type="checkbox"/> PB	<input type="checkbox"/> Other_____

Optional Accessories on Page 2

PRODUCT SPECIFICATION:

The three-piece shower stall inside finished dimensions shall be 44-3/8" in length, 37-3/8" in width, and 81-9/16" in height. Shower stall rough-in dimensions shall be 52" in length, 37-1/2" in width, and 84" in height. Shower stall shall have fold-up seat at left or right. Shower stall shall have a slip-resistant floor. Shower stall shall have nylon grab bars and folding seat (-N), (grey bars and seat supplied with White and Biscuit stalls, white bars and seat supplied with others), brushed stainless steel grab bars and folding seat frame (-C), or polished stainless steel grab bars and folding seat frame (-P). Shower stall shall be made of acrylic. Shower stall shall have integral soap ledges. "Pit" installation shall be detailed in instructions. Shower stall shall be Kohler Model K-_____-_____.

FREEWILL™

Optional Accessories

K-1570	Dome light			<input type="checkbox"/> NA
K-704014	Helios™ shower door*	<input type="checkbox"/> SH	<input type="checkbox"/> BH	<input type="checkbox"/> O White

* Refer to Fixtures Price Book for glass options.

PRODUCT INFORMATION



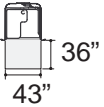

Fixture:	255 lbs.
Configuration	3-piece
Drain Outlet	3-3/8" D.

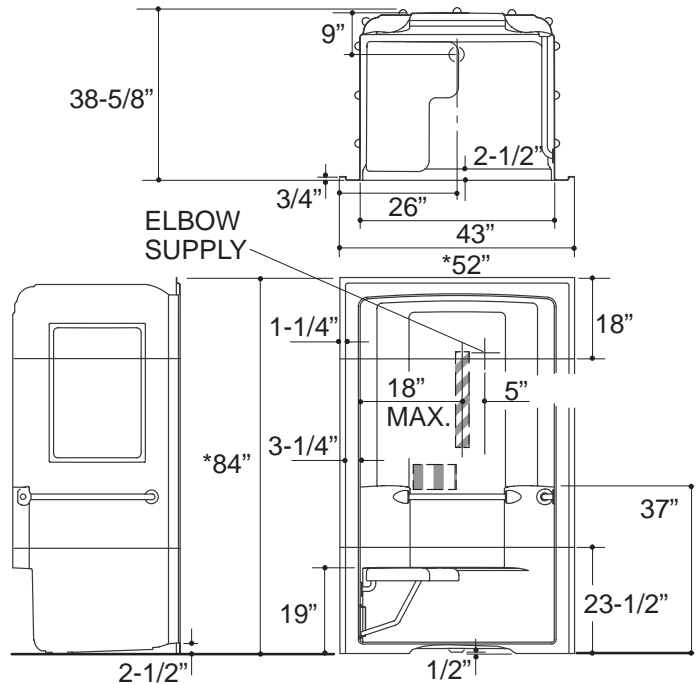
INSTALLATION NOTES

For optimum accessibility, specify faucets and fittings to install and operate within the control area shown.

Fixture not drilled for supply fittings.

Shimming may be required to level fixture.

Roughing-In Notes	
*Recess opening must be 52-1/4" x 84-1/4".	
No change in measurements if connected with drain illustrated.	
Stud opening tolerance (+ 1/4" – 0"). When fire rated wall is specified, dimensions are to the inside of the wall board. Some shimming between stud frame and fixture may be required.	
Provide clear floor space per ICC/ANSI A117.1, and as shown.	
	Represents control area for faucets.
	Represents 24" wall mount slide bar.
	Represents clear floor space for 36" x 43" side entrance.
	Represents clear floor space for 48" x 43" front entrance.



.75<132

PRODUCT DIAGRAM