

**BATH FAUCET TRIM**  
**K-P12885-4**  
**PROJECT PACK**  
**ALSO K-P300-K**

**FEATURES**

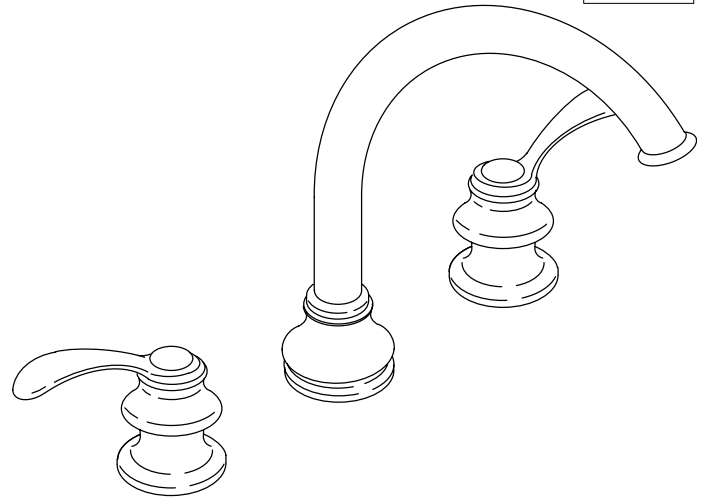
- Brass construction
- Bath- or deck-mount
- 8-7/8" high-arch non-diverter spout with slip-fit connection
- Lever handles
- Packaged six per case

ADA

**CODES/STANDARDS APPLICABLE**

Specified model meets or exceeds the following:

- ASME/ANSI A112.18.1M
- CSA B125
- IAPMO/UPC



**COLORS/FINISHES**

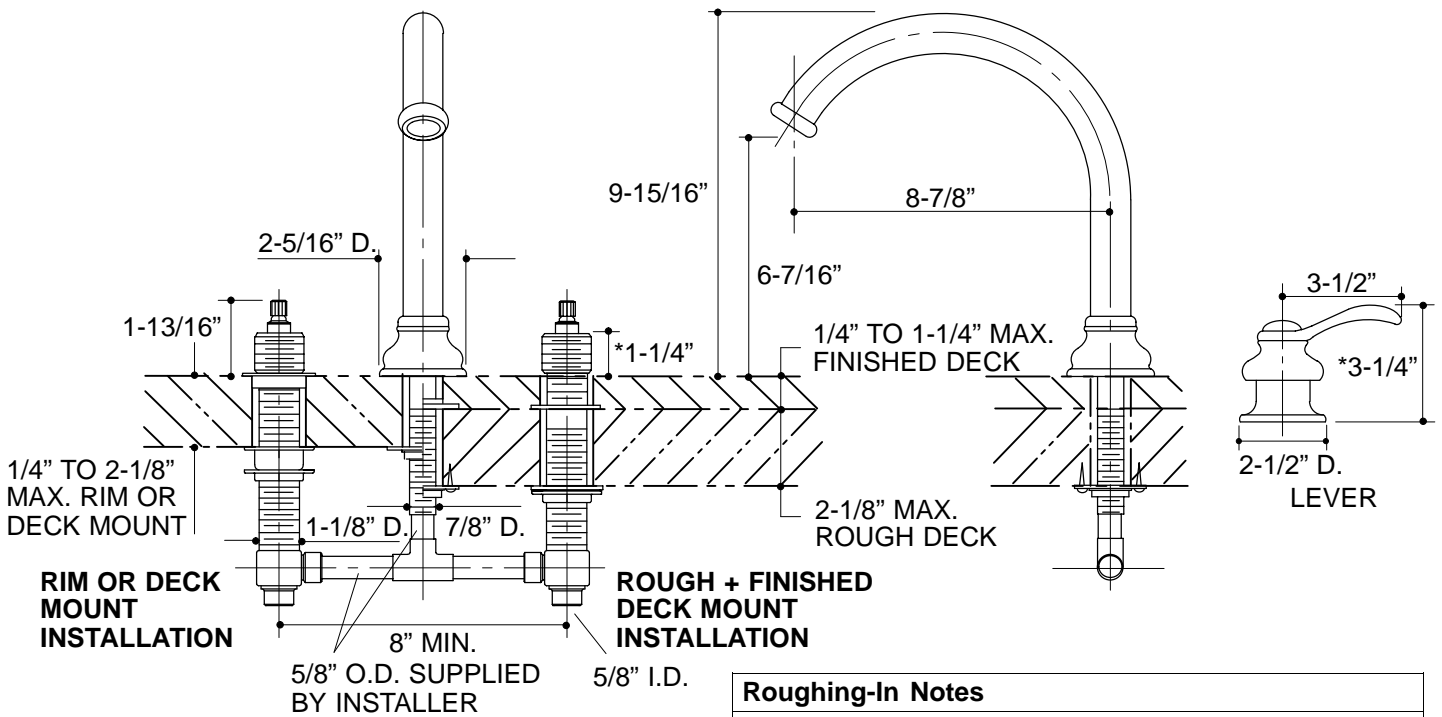
- CP Polished Chrome
- Other Refer to Faucets Price Book for additional finishes

**SPECIFIED MODEL:** For complete faucet, both faucet trim and valve system must be specified.

Model	Description	<input type="checkbox"/> CP	<input type="checkbox"/> Other_____
K-P12885-4	Fairfax Bath- or Deck-Mount High-Flow Bath Faucet Trim	<input type="checkbox"/> CP	<input type="checkbox"/> Other_____
<b>Required Accessory</b>			
K-P300-K	1/2" High-Flow Ceramic Disc Valve System	<input type="checkbox"/> NA	

**PRODUCT SPECIFICATION:**

Two-handle bath- or deck-mount high-flow bath faucet trim shall be of brass construction. Product shall include 8-7/8" high-arch non-diverter spout with slip-fit connection, and lever handles. Faucet trim shall be Kohler Model K-P12885-4-\_\_\_\_\_ and valve system shall be Kohler Model K-P300-K-NA. Project pack trim and valves are packaged six per case.



**ROUGHING-IN NOTES**  
 \*Dimension allows +/- 1/4" handle adjustment during handle trim installation.

**PRODUCT DIAGRAM**