

**VALVE SYSTEM  
K-P300-K  
PROJECT PACK**

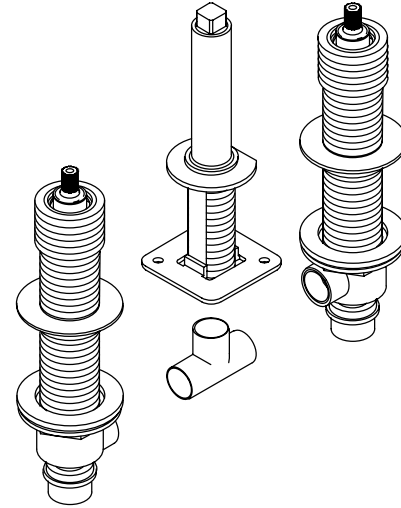
**FEATURES**

- Brass valve bodies
- Bath- or deck-mount
- 1/2" quarter-turn washerless ceramic disc valves
- High-flow valving
- Packaged six per case

**CODES/STANDARDS APPLICABLE**

Specified model meets or exceeds the following:

- ASME/ANSI A112.18.1M
- CSA B125
- IAPMO/UPC



**COLORS/FINISHES**

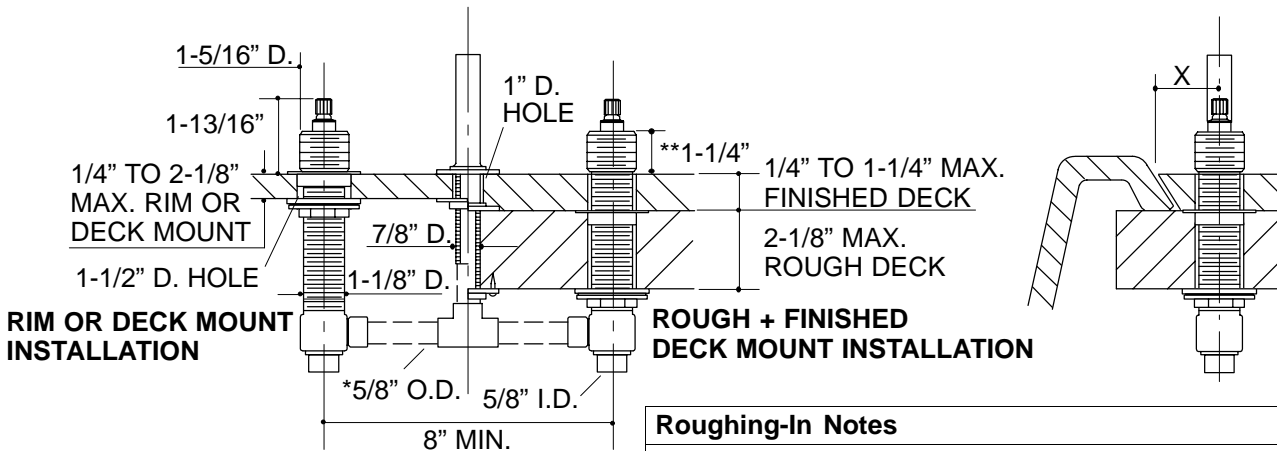
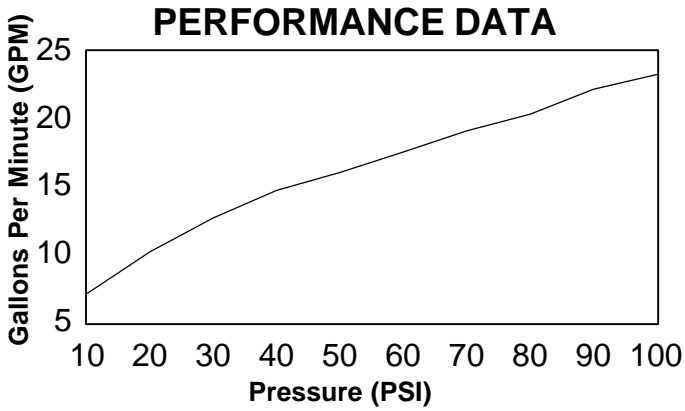
- NA Not applicable

**SPECIFIED MODEL:**

Model	Description	
K-P300-K	1/2" High-Flow Ceramic Disc Valve System	<input type="checkbox"/> NA

**PRODUCT SPECIFICATION:**

Two-handle bath- or deck-mount 1/2" high-flow valve system shall feature brass valve bodies. Faucet shall feature 1/2" quarter-turn washerless ceramic disc valves, assuring positive handle stop positioning. High-flow valving allows water to flow 16-18 gpm at 45 psi. Valve system shall be Kohler Model K-P300-K-NA. Project Pack valves are packaged six per case.



ROUGHING-IN NOTES
*Dashed lines indicate items to be supplied by installer.
**Dimension allows +/-1/4" handle adjustment during handle trim installation.
X= Distance from centerline of spout inlet to front of spout base plus 1/2"
For installations on a rough (unfinished) deck to be covered later with tile, the tile thickness must not exceed 1-1/4".

## PRODUCT DIAGRAM