

**URINAL FLUSH PIPES**  
**K-9198**

**ALSO K-9199, K-9200, K-9213**

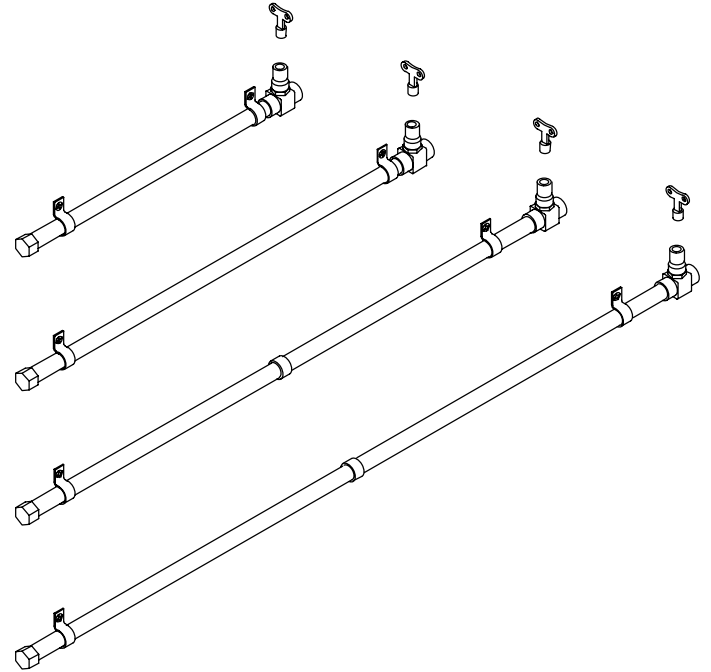
**FEATURES**

- Brass construction
- Intended for use with Jarves™ Trough Urinals
- Wall hangers
- Loose key stop with 1/2" N.P.T. connections

**CODES/STANDARDS APPLICABLE**

Specified model meets or exceeds the following:

- ASME/ANSI A112.18.1M



**COLORS/FINISHES**

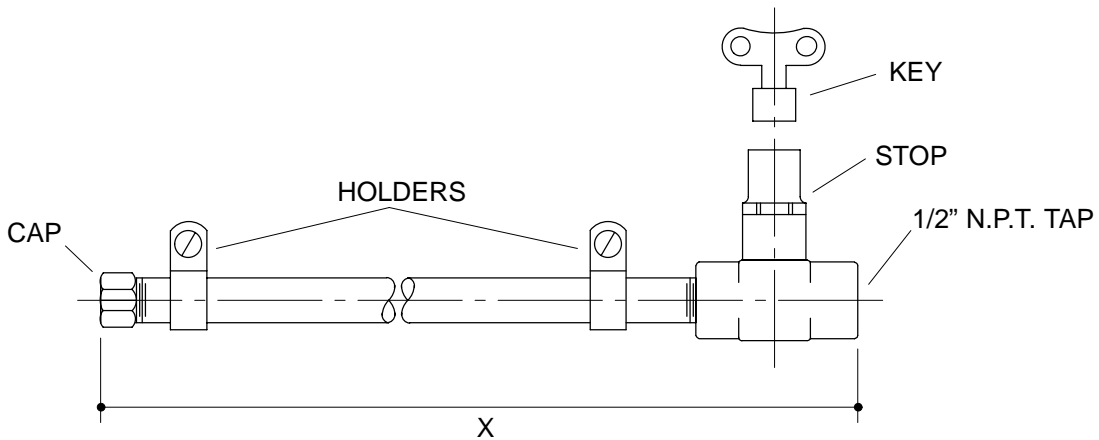
- CP Polished Chrome

**SPECIFIED MODEL:**

Model	Description	
K-9198	36" Washdown Urinal Flush Pipe (For Use With K-5055 Jarves Trough Urinal)	<input type="checkbox"/> CP
K-9199	48" Washdown Urinal Flush Pipe (For Use With K-5056 Jarves Trough Urinal)	<input type="checkbox"/> CP
K-9200	60" Washdown Urinal Flush Pipe (For Use With K-5057 Jarves Trough Urinal)	<input type="checkbox"/> CP
K-9213	72" Washdown Urinal Flush Pipe (For Use With K-5058 Jarves Trough Urinal)	<input type="checkbox"/> CP

**PRODUCT SPECIFICATION:**

Urinal flush pipes shall be of brass construction. Product is intended for use with Jarves trough urinals. Product shall include wall hangers, and loose key stop with 1/2" N.P.T. connections. Product shall be Kohler Model K-\_\_\_\_\_-CP.



Roughing-In Notes	X
36" perforated washdown pipe	35-1/2"
48" perforated washdown pipe	47-1/2"
60" perforated washdown pipe	59-1/2"
72" perforated washdown pipe	71-1/2"

## PRODUCT DIAGRAM