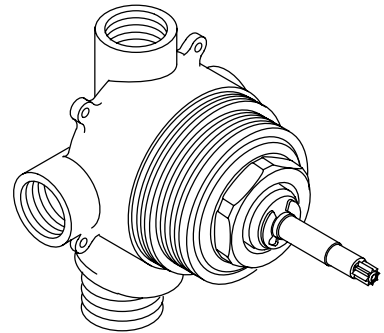


FEATURES

- Brass construction
- Wall-mount
- Brass valve body
- One-piece self-contained ceramic disc valve for ease of maintenance
- 3/4" N.P.T. inlet connection
- 1/2" N.P.T. outlet connections
- Permits three outlets to be interconnected
- Selection of one or combination of two outlets
- Intended for use with Kohler bath and shower supply valves



CODES/STANDARDS APPLICABLE

Specified model meets or exceeds the following:

- ASME/ANSI A112.18.1M
- CSA B125
- IAPMO/UPC

COLORS/FINISHES

- NA Not applicable

SPECIFIED MODEL:

Model	Description	
K-405-K	3-Way Transfer Valve	<input type="checkbox"/> NA

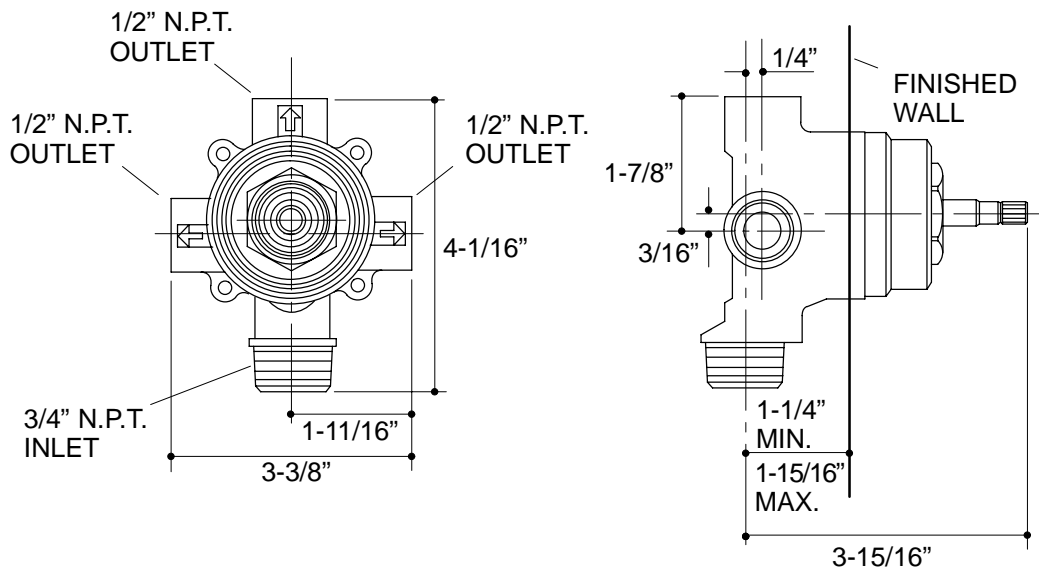
PRODUCT SPECIFICATION:

Single-handle wall-mount 3-way transfer valve shall be of brass construction. The transfer valve permits three outlets to be interconnected allowing the user to dial a selection of any one outlet or a combination of any two. Product shall feature a one-piece, self-contained ceramic disc valve for ease of maintenance. Product shall also feature one 3/4" N.P.T. inlet connection and three 3/4" N.P.T. outlet connections. Product is intended for installation with any Kohler bath and shower supply valve. Transfer valve shall be Kohler Model K-405-K-NA.

INSTALLATION NOTES

Product is not intended for use as a shut-off valve.

Product requires a mixed water supply to the inlet.



PRODUCT DIAGRAM