

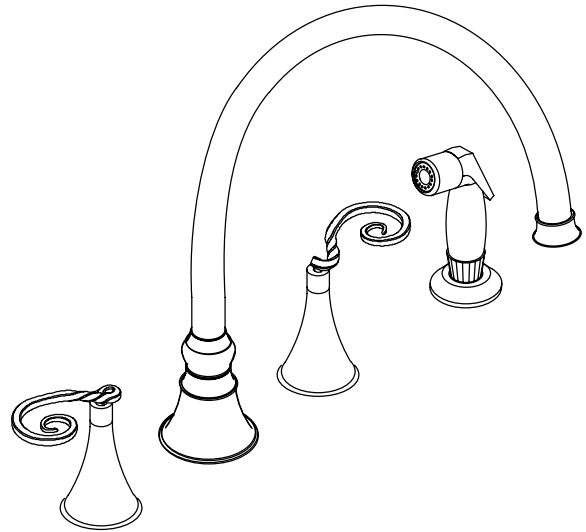
FEATURES

- Brass construction
- For 8" centers
- Brass valve bodies
- Quarter-turn washerless ceramic disc valves
- 11-13/16" swing spout
- 2.2 gallons per minute
- Wrought swirl handles
- Black handspray

CODES/STANDARDS APPLICABLE

Specified model meets or exceeds the following:

- ASME/ANSI A112.18.1M
- CSA B125
- Energy Policy Act of 1992
- IAPMO/UPC
- NSF 61



COLORS/FINISHES

- Other Refer to Faucets Price Book for additional finishes

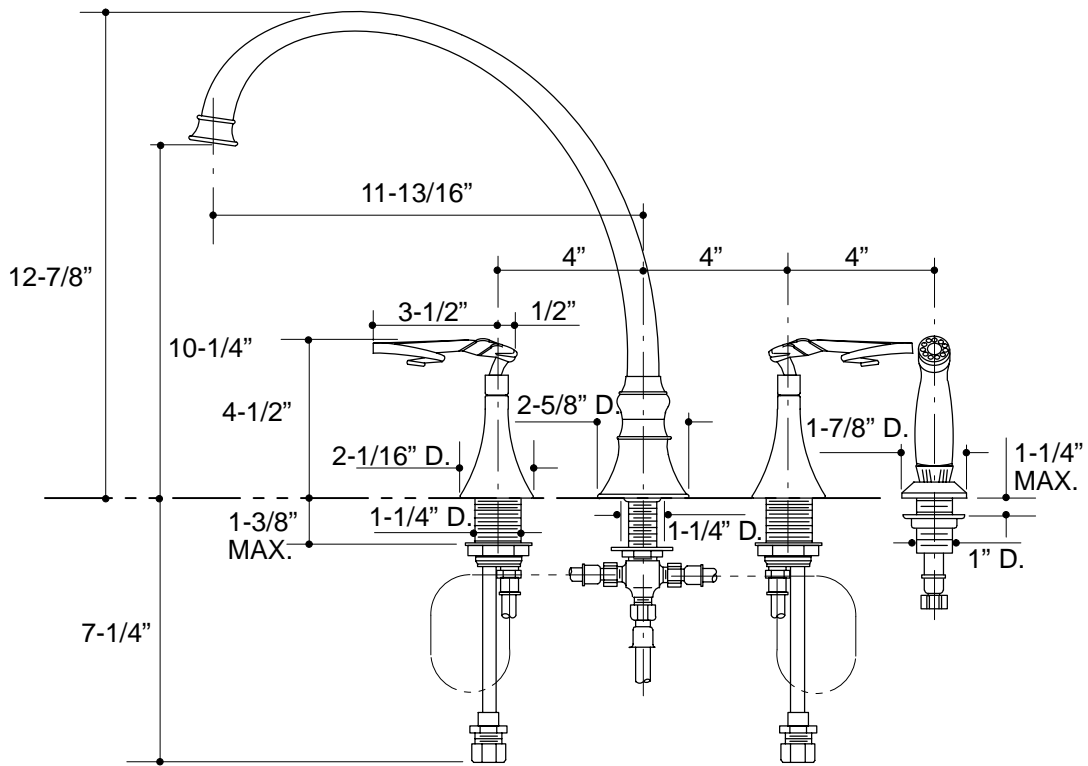
SPECIFIED MODEL:

Model	Description	
K-678-4W	Finial Art Kitchen Sink Faucet	<input type="checkbox"/> Other_____

PRODUCT SPECIFICATION:

Two-handle kitchen sink faucet shall be of brass construction. Faucet shall feature brass valve bodies. Faucet shall feature quarter-turn washerless ceramic disc valves, assuring positive handle stop positioning. Product shall include 8" centers, 11-13/16" swing spout, wrought swirl handles, and black handspray. Faucet shall be Kohler Model K-678-4W-_____.

FINIAL ART



316

PRODUCT DIAGRAM