

**LAVATORY FAUCET
K-610-9**

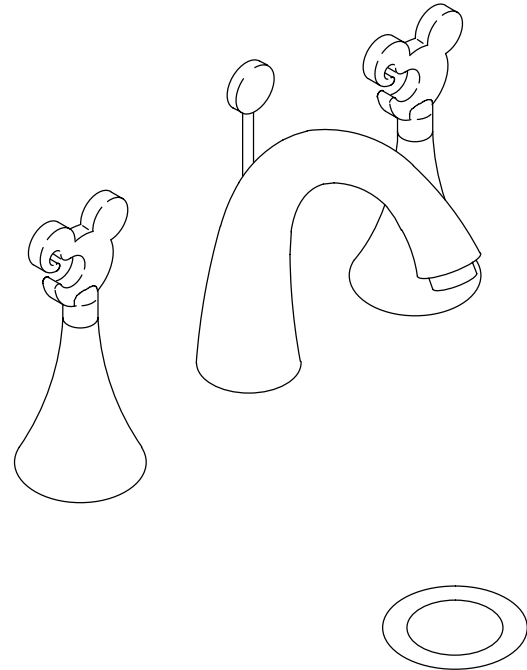
FEATURES

- Brass construction
- Flexible connections
- Brass valve bodies
- Quarter-turn washerless ceramic disc valves
- 5" high-arch spout
- 2.0 gallons per minute
- Pop-up drain with lift rod and tailpiece
- ©Disney handles

CODES/STANDARDS APPLICABLE

Specified model meets or exceeds the following:

- ASME/ANSI A112.18.1M
- CSA B125
- Energy Policy Act of 1992
- IAPMO/UPC
- NSF 61



COLORS/FINISHES

- Other Refer to Faucets Price Book for additional finishes

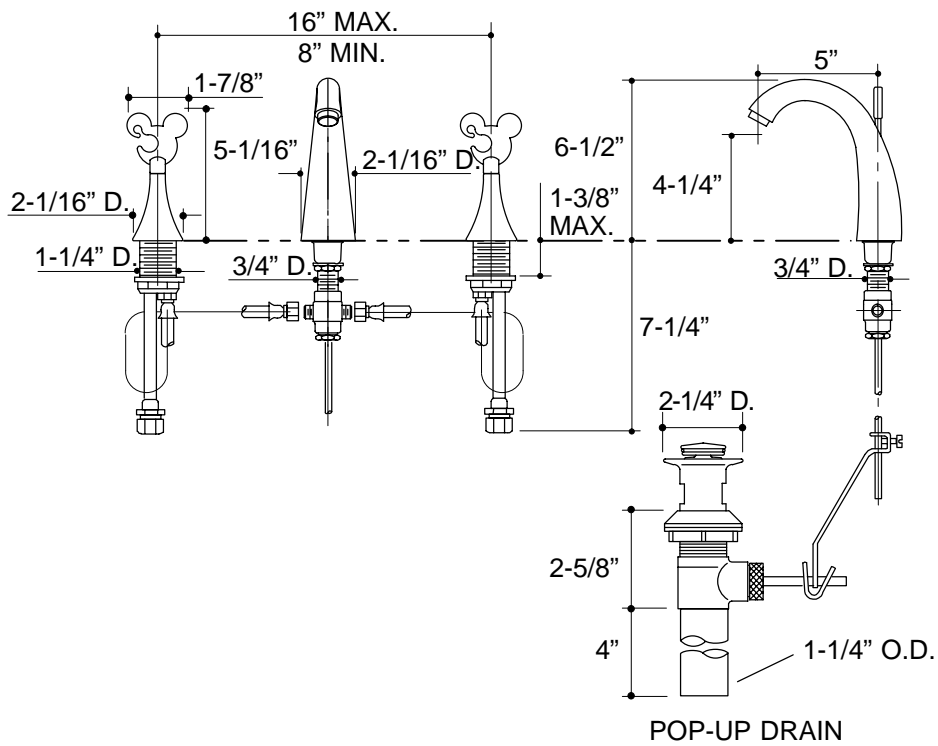
SPECIFIED MODEL:

Model	Description
K-610-9	Finial Widespread Lavatory Faucet <input type="checkbox"/> Other_____

PRODUCT SPECIFICATION:

Two-handle widespread lavatory faucet shall be of brass construction. Faucet shall feature brass valve bodies. Faucet shall feature quarter-turn washerless ceramic disc valves, assuring positive handle stop positioning. Product shall include flexible connections, 5" high-arch spout, pop-up drain with lift rod and tailpiece, and ©Disney handles. Faucet shall be Kohler Model K-610-9-_____.

FINIAL ART



PRODUCT DIAGRAM