

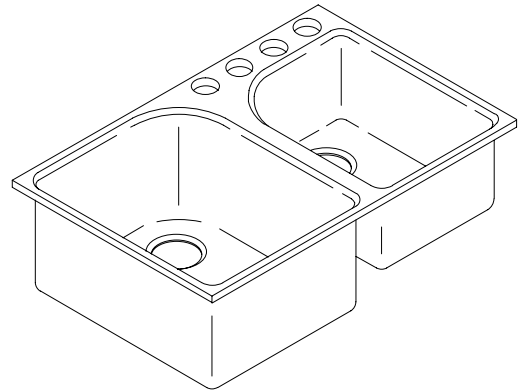
#### FEATURES

- 33" x 22"
- Cast iron
- Acid resistant enamel finish
- Undercounter
- Double (large/medium) compartment
- 4-hole (oversized) drilling

#### CODES/STANDARDS APPLICABLE

Specified model meets or exceeds the following:

- ASME/ANSI A112.19.1M
- IAPMO/UPC
- Canadian Standards Association (CSA)



#### COLORS/FINISHES

- 0 White
- Other Refer to Fixtures Price Book for additional colors

#### Accessories:

- CP Polished Chrome
- 0 White
- Other Refer to Price Book for additional colors

#### SPECIFIED MODEL:

Model	Description	Colors/Finishes	
K-5931-4U	4-hole sink	<input type="checkbox"/> 0 White	<input type="checkbox"/> Other_____

Recommended Accessories			
K-9000	Trap	<input type="checkbox"/> CP	

Optional Accessories			
K-6001	Bottom basin rack (for left basin only)	<input type="checkbox"/> 0 White	<input type="checkbox"/> Other_____
K-6521	Wire rinse basket (for right basin only)	<input type="checkbox"/> 0 White	<input type="checkbox"/> Other_____
K-8801	Duostrainer sink strainer	<input type="checkbox"/> CP	<input type="checkbox"/> Other_____

#### PRODUCT SPECIFICATION:

The undercounter sink shall be 33" in length, and 22" in width. Sink shall be made of cast iron with acid resistant enamel finish. Sink shall be double (large/medium) compartment. Sink shall be 4-hole (oversized) drilled. Sink shall be Kohler Model K-5931-4U-\_\_\_\_\_.

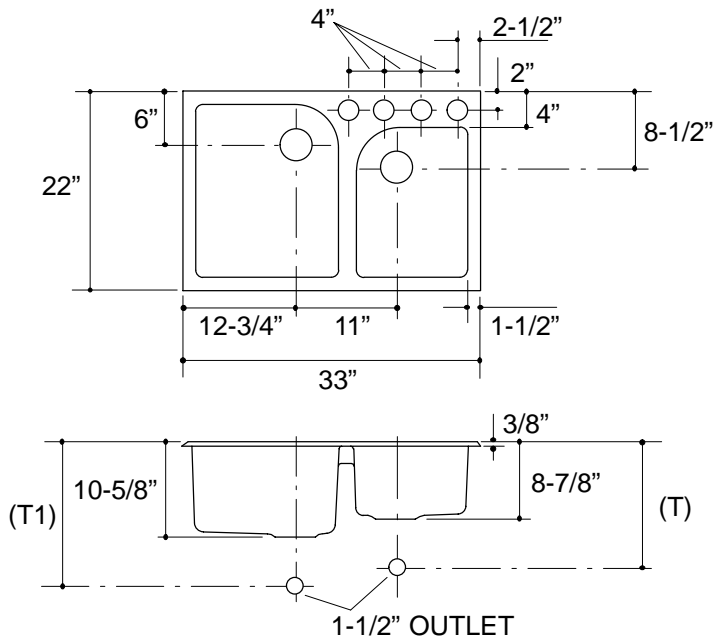
# EXECUTIVE CHEF™

## PRODUCT INFORMATION

Fixture*:		basin area	water depth
Sink, small		12" x 17"	7-3/4"
Sink, large		16" x 19"	9-3/4"
Outlet	3-5/8" D.		
Faucet holes	2-3/8" D.		

\* Approximate measurements for comparison only.

Included Components:	
Cutout template	116808-7



### Roughing-In Notes

(T) Drain typically 14".

(T1) Drain typically 16".

.75<116

## PRODUCT DIAGRAM