

Ordering Information

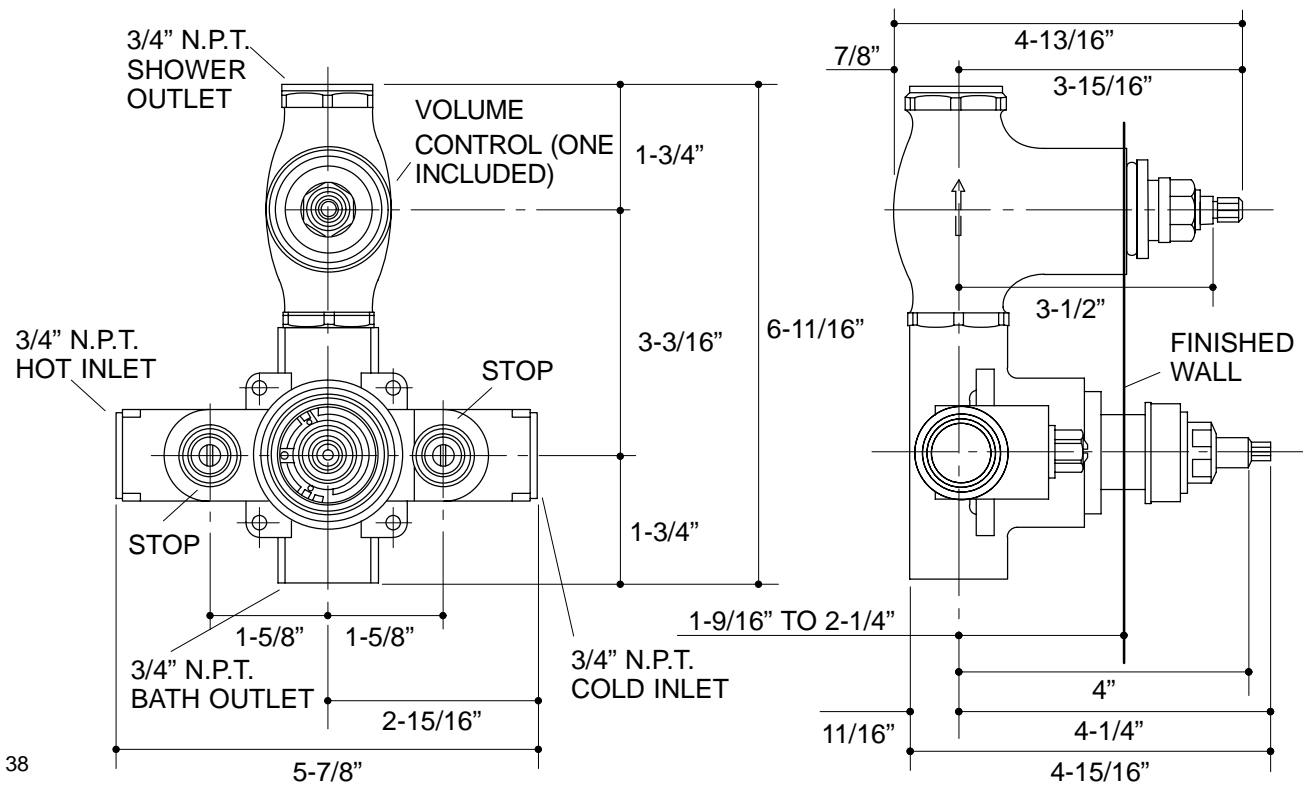
Applicable product:	
With volume control	K-401-K

Installation Notes

The K-401-K thermostatic mixer valve includes one volume control for shower-only installations. For bath and shower installations, an additional K-403-K volume control valve is required for the bath outlet.

A 3/4" N.P.T. plug must be installed in any unused outlet.

For installations with diverter spout, a K-9633 twin ell is required between the valve and the spout.



38

K-401-K MasterShower™ 3/4" Thermostatic Mixer
116806-1-AA (A)

KOHLER®

NOTES: