

FEATURES

- 12" rough-in
- Vitreous china
- Elongated bowl
- One-piece, compact
- 1.6 gpf
- 2" glazed trapway
- 10-1/2" x 9-1/4" water area
- Includes seat and cover
- Includes polished chrome trip lever
- 16-1/8" high bowl with seat is ADA compliant
- With right-hand trip lever (-RA)
- Less supply
- EPDM flapper
- Wellworth™ flushing system



CODES/STANDARDS APPLICABLE

Specified model meets or exceeds the following:

- ADA
- ASME/ANSI A112.19.2M
- ASME/ANSI A112.19.6M
- ICC/ANSI A117.1
- Energy Policy Act of 1992 (EPACT)
- IAPMO/UPC

COLORS/FINISHES

- 0 White
- Other Refer to Fixtures Price Book for additional colors

Accessories:

- CP Polished Chrome
- PB Polished Brass
- Other Refer to Price Book for additional colors

SPECIFIED MODEL:

Model	Description	Colors/Finishes	
K-3322	Elongated bowl toilet (left-hand trip lever)	<input type="checkbox"/> 0 White	<input type="checkbox"/> Other_____
K-3322-RA	Elongated bowl toilet (right-hand trip lever)	<input type="checkbox"/> 0 White	<input type="checkbox"/> Other_____

Recommended Accessories				
K-7637	Angle supply with stop	<input type="checkbox"/> CP	<input type="checkbox"/> PB	<input type="checkbox"/> Other_____

Optional Accessories			
K-9440-L	Left-hand trip lever (non-CP)	<input type="checkbox"/> PB	<input type="checkbox"/> Other_____
K-9440-R	Right-hand trip lever (non-CP)	<input type="checkbox"/> PB	<input type="checkbox"/> Other_____

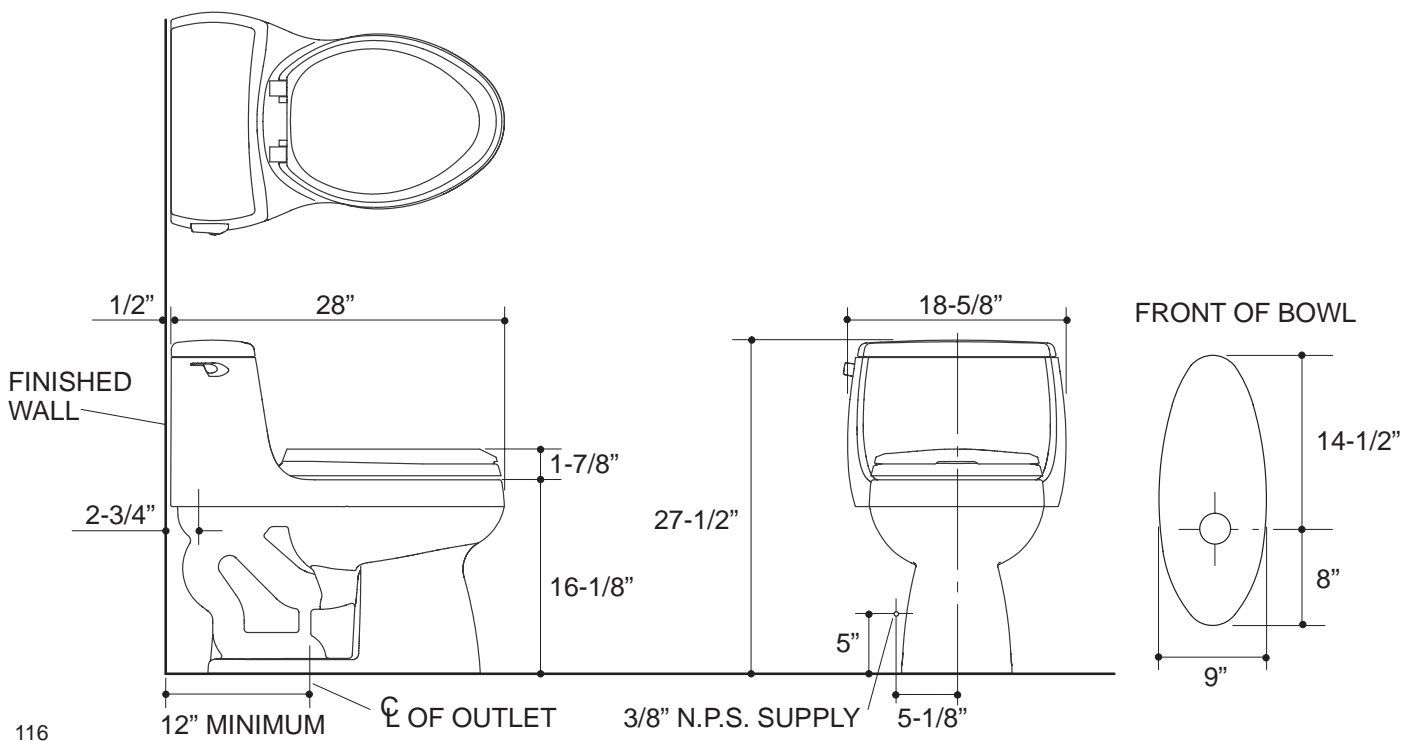
PRODUCT SPECIFICATION:

The elongated compact 1-piece toilet shall be 12" rough-in. Toilet shall be made of vitreous china. Toilet shall be 1.6 gpf. Toilet shall have 2" glazed trapway. Toilet shall have 10-1/2" x 9-1/4" water area. Toilet shall include seat and cover. Toilet shall include polished chrome trip lever. Toilet shall be ADA compliant with 16-1/8" high bowl with seat. Toilet shall have right-hand trip lever (-RA). Toilet shall be less supply. Toilet shall have EPDM flapper. Toilet shall have Wellworth™ flushing system. Toilet shall be Kohler Model K-3322-_____-_____.

GABRIELLE™

PRODUCT INFORMATION

ADA compliant.	
Fixture:	
Configuration	1-piece, compact elongated
Gallons per flush	1.6 gallons
Passageway	2"
Water area	10-1/2" x 9-1/4"
Water depth from rim	5"
Seat post hole centers	5-1/2"
Included Components:	
Seat	K-4652
Tank cover	85407
Trip lever	K-9440
Bolt cap accessory pack	52048
Tank accessory pack	52265



PRODUCT DIAGRAM