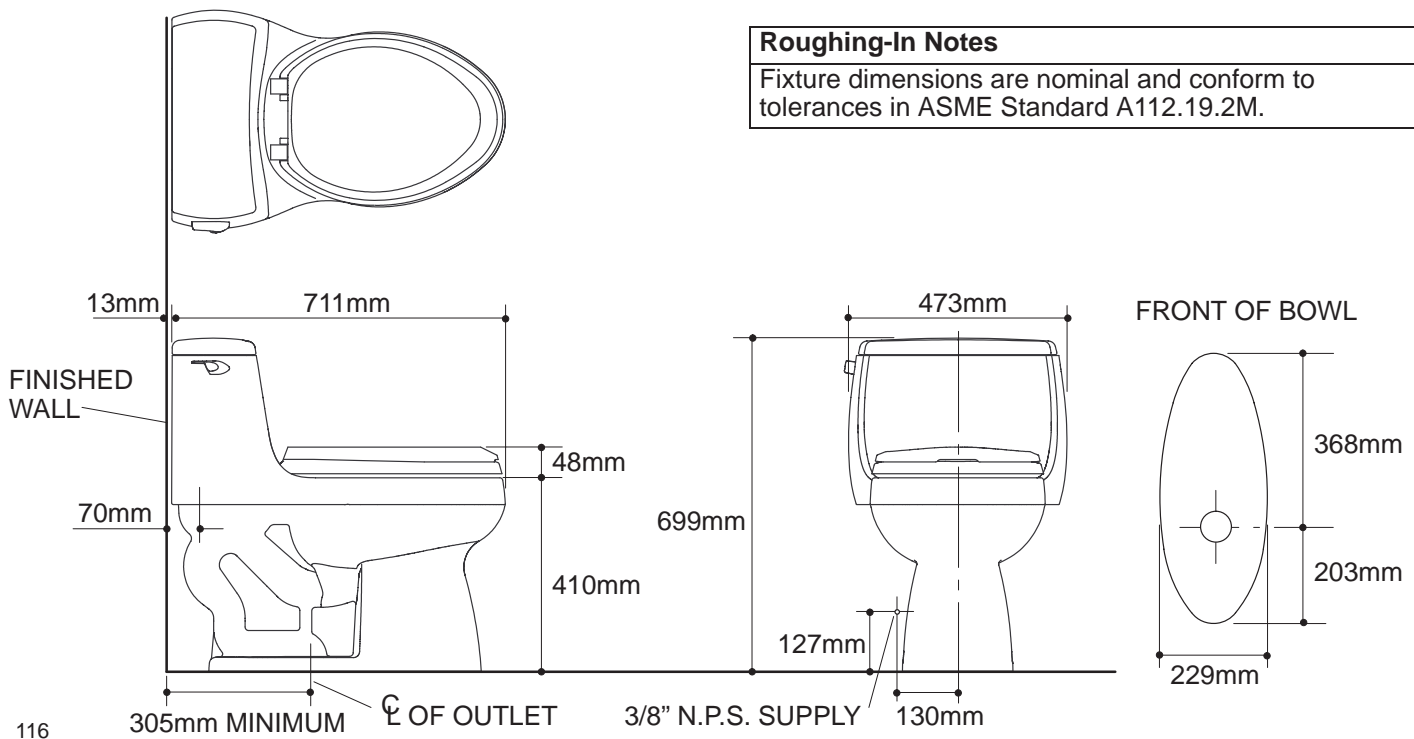


Ordering Information

Applicable product:		
Left-hand trip lever	K-3322	shown
Right-hand trip lever	K-3322-RA	not shown
Accessories/hardware:		
3/8" supply	K-7637	recommended
Floor bolts (pr.)	21401	recommended

Product Information

ADA compliant.	
Fixture:	
Configuration	1-piece, compact elongated
Litres per flush	6 litres
Passageway	51mm
Water area	267 x 235mm
Water depth from rim	127mm
Seat post hole centers	140mm
Included Components:	
Seat	K-4652
Tank cover	85407
Trip lever	K-9440
Bolt cap accessory pack	52048
Tank accessory pack	52265



Roughing-In Notes
Fixture dimensions are nominal and conform to tolerances in ASME Standard A112.19.2M.