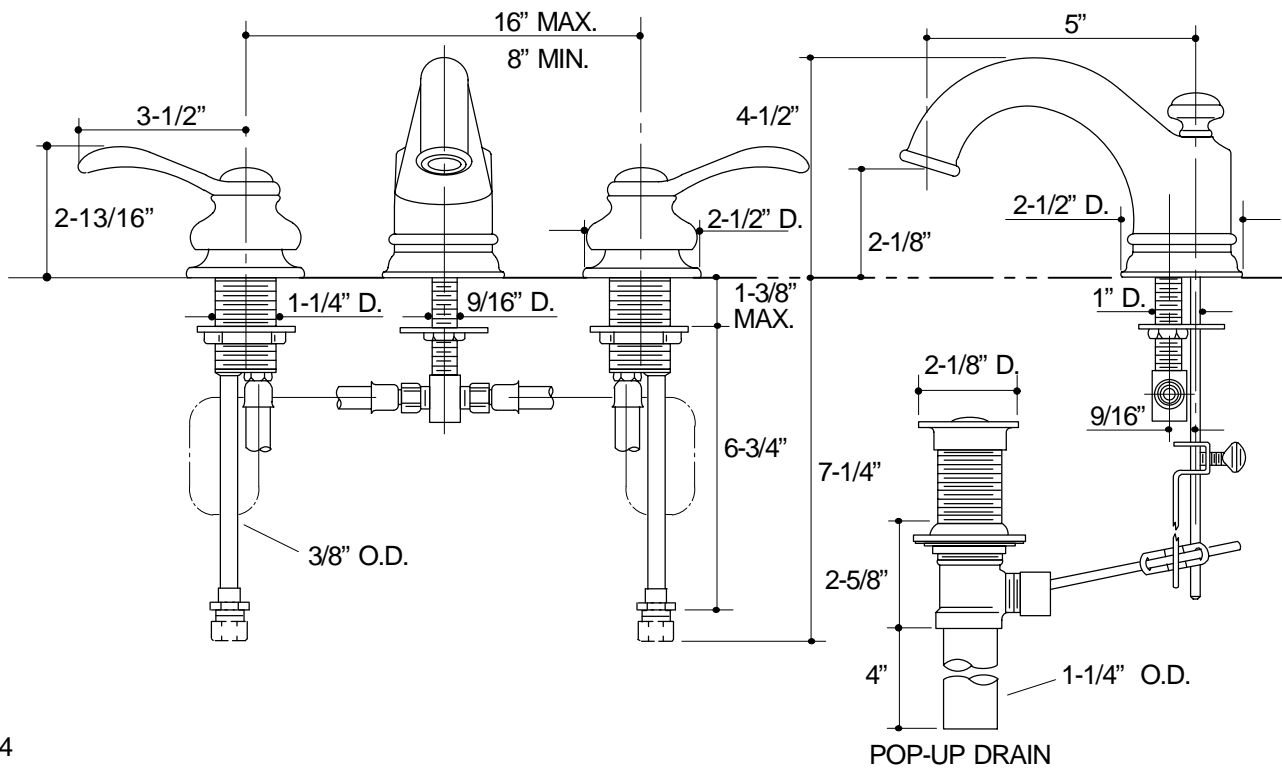


Ordering Information

Applicable faucet:	
With lever handles	K-12265-4
ADA Lever handle is ADA compliant	



14

K-12265-4 Fairfax™ Lavatory Faucet
116822-1-AA (-)

KOHLER®

NOTES: