

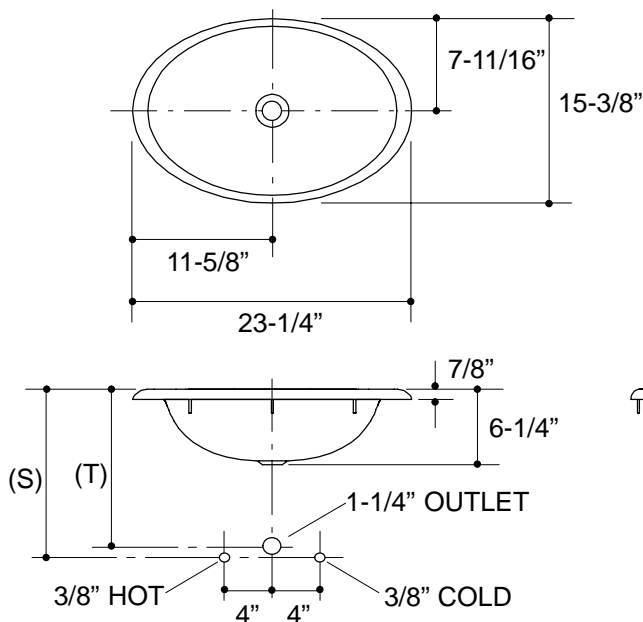
Ordering Information

Applicable product:		
Satin finish	K-2600-S	shown
Mirror finish	K-2600-M	shown
Flywheel finish	K-2600-A	shown
Formal stripe finish	K-2600-B	shown

Product Information

Fixture*:		basin area	water depth
Lavatory		18" x 13"	5-7/8"
Outlet	1-5/8" D.		
* Approximate measurements for comparison only.			

Included Components:	
Adhesive sealant	63034
Drain gasket	33507
Tube	62603
Basin clamp assembly	56655
Cutout template	116847-7



Roughing-In Notes

Fixture dimensions are nominal and conform to tolerances in ASME Standard A112.19.3M.
 (T) Pop-up drain 13-1/8".
 (S) 14" (Based on 12" riser which may require cutting).
 Supplied basin clamp assembly requires 3/4" minimum countertop thickness. Installer must supply anchors for thinner countertops.



KIT #56655