

### FEATURES

- 12" rough-in
- Vitreous china
- Elongated bowl
- 1.6 gpf
- Combination toilet
- Less seat and supply
- With Insuliner® insulated tank lining (-U)



### CODES/STANDARDS APPLICABLE

Specified model meets or exceeds the following:

- ASME/ANSI A112.19.2M
- ASME/ANSI A112.19.6M
- Energy Policy Act of 1992 (EPACT)
- IAPMO/UPC
- Canadian Standards Association (CSA)
- States of Massachusetts, New York, & Texas
- Cities of Los Angeles, CA

### COLORS/FINISHES

- 0 White
- Other Refer to Fixtures Price Book for additional colors

#### Accessories:

- 0 White
- CP Polished Chrome
- PB Polished Brass
- Other Refer to Price Book for additional colors

### SPECIFIED MODEL:

Model	Description	Colors/Finishes	
K-3591	Elongated bowl toilet	<input type="checkbox"/> 0 White	<input type="checkbox"/> Other_____
K-3591-U	Toilet with insuliner tank	<input type="checkbox"/> 0 White	<input type="checkbox"/> Other_____

Recommended Accessories			
K-4652	Lustra™ seat with cover	<input type="checkbox"/> 0 White	<input type="checkbox"/> Other_____
K-4652-A	Lustra™ seat with cover (includes anti-microbial agent)	<input type="checkbox"/> 0 White	
K-4752	Deluxe Triko™ seat with cover	<input type="checkbox"/> 0 White	<input type="checkbox"/> Other_____
K-4745	Vintage™ seat with cover	<input type="checkbox"/> CP	<input type="checkbox"/> PB
K-7637	Angle supply with stop	<input type="checkbox"/> CP	<input type="checkbox"/> PB <input type="checkbox"/> Other_____
Optional Accessories			
K-9437	Trip lever (non-CP)	<input type="checkbox"/> PB	<input type="checkbox"/> Other_____
K-113	Antique™ trip lever with wood insert	<input type="checkbox"/> PB	
K-114	Antique trip lever	<input type="checkbox"/> CP	<input type="checkbox"/> PB <input type="checkbox"/> Other_____
K-6822	IV Georges Brass™ trip lever	<input type="checkbox"/> PB	<input type="checkbox"/> Other_____

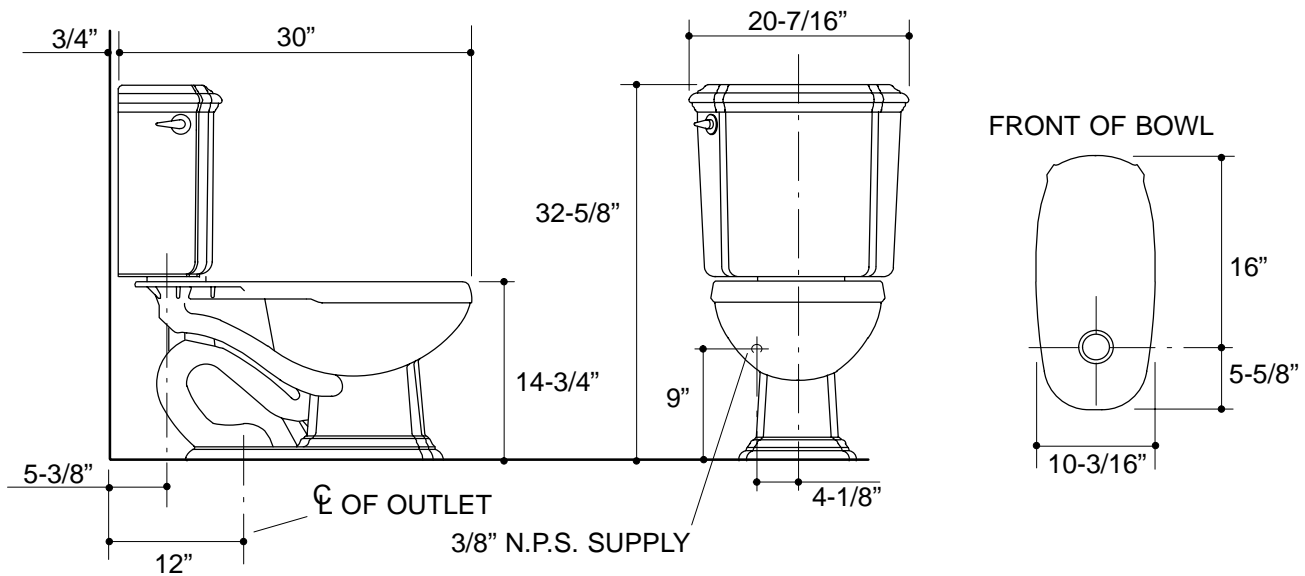
### PRODUCT SPECIFICATION:

The elongated toilet combination shall be 12" rough-in. Toilet shall be made of vitreous china. Toilet shall be 1.6 gpf. Toilet shall include polished chrome trip lever. Toilet shall be less seat and supply. Toilet shall have Insuliner® insulated tank lining (-U). Toilet shall be Kohler Model K-3591-\_\_\_\_\_-\_\_\_\_\_.

# PORTRAIT™

## PRODUCT INFORMATION

Fixture:	
Configuration	2-piece, elongated
Gallons per flush	1.6 gallons
Passageway	2"
Water depth from rim	5-3/4"
Seat post hole centers	5-1/2"
Included Components:	
Bowl	K-4317
Tank	K-4607
Tank cover	80625
Bolt cap accessory pack	52048
Tank accessory pack	73062



116

## PRODUCT DIAGRAM