

### Ordering Information

Applicable product:		
Five-hole sink	K-5800-5	shown
Three-hole sink	K-5800-3	not shown
Two-hole sink	K-5800-2	not shown
Accessories/hardware:		
Hardwood cutting board	K-6574	optional
Stainless steel wire rinse basket	K-6549	optional
Stainless steel bottom basin rack	K-6014	optional

### Product Information

Fixture*:		basin area	water depth
Sink, large		19" x 18"	10"
Sink, small		20" x 13"	8"
Disposal		20" x 7"	4"
Outlet	3-5/8" D.		
Faucet holes	1-3/8" D.		

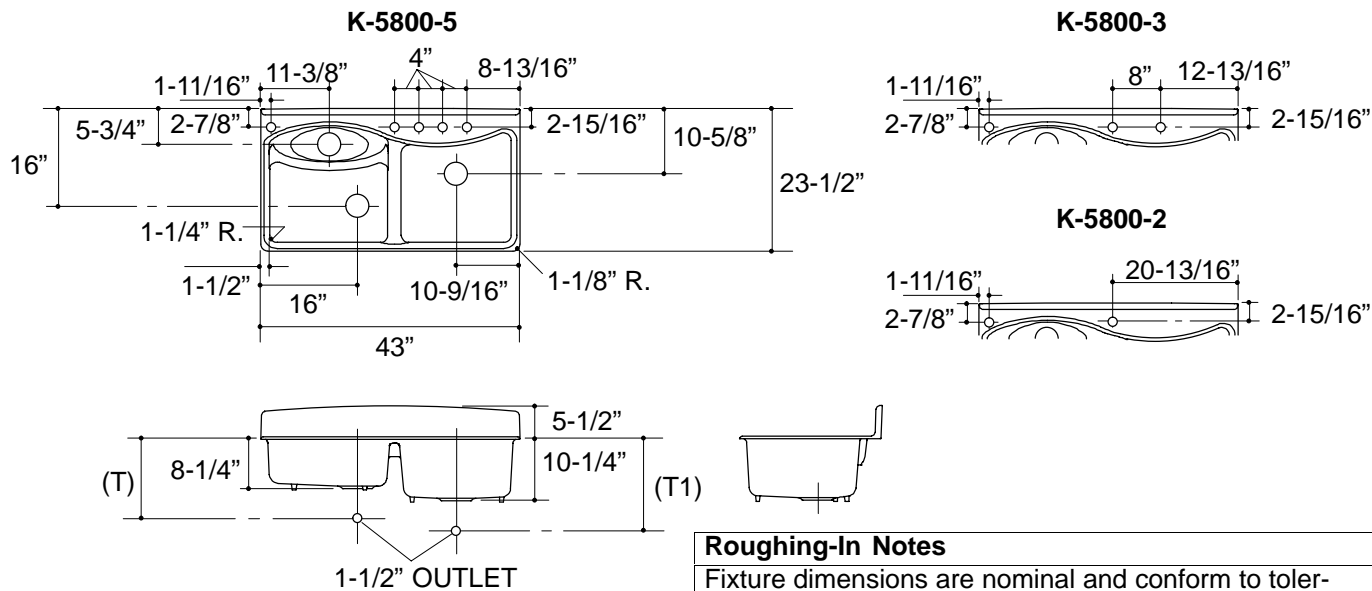
\* Approximate measurements for comparison only.

### Included Components:

Cutout template	117019-7
-----------------	----------

### Installation Notes

Refer to installation instructions included with fixture before beginning installation.



### Roughing-In Notes

Fixture dimensions are nominal and conform to tolerances in ASME/ANSI Standard A112.19.1M.

For disposal unit, consult local supplier for roughing-in measurements.

(T) Drain 13-5/8".

(T1) Drain 15-5/8".