

Ordering Information

Applicable product:		
Five-hole sink	K-5800-5	shown
Three-hole sink	K-5800-3	not shown
Two-hole sink	K-5800-2	not shown
Accessories/hardware:		
Hardwood cutting board	K-6574	optional
Stainless steel wire rinse basket	K-6549	optional
Stainless steel bottom basin rack	K-6014	optional

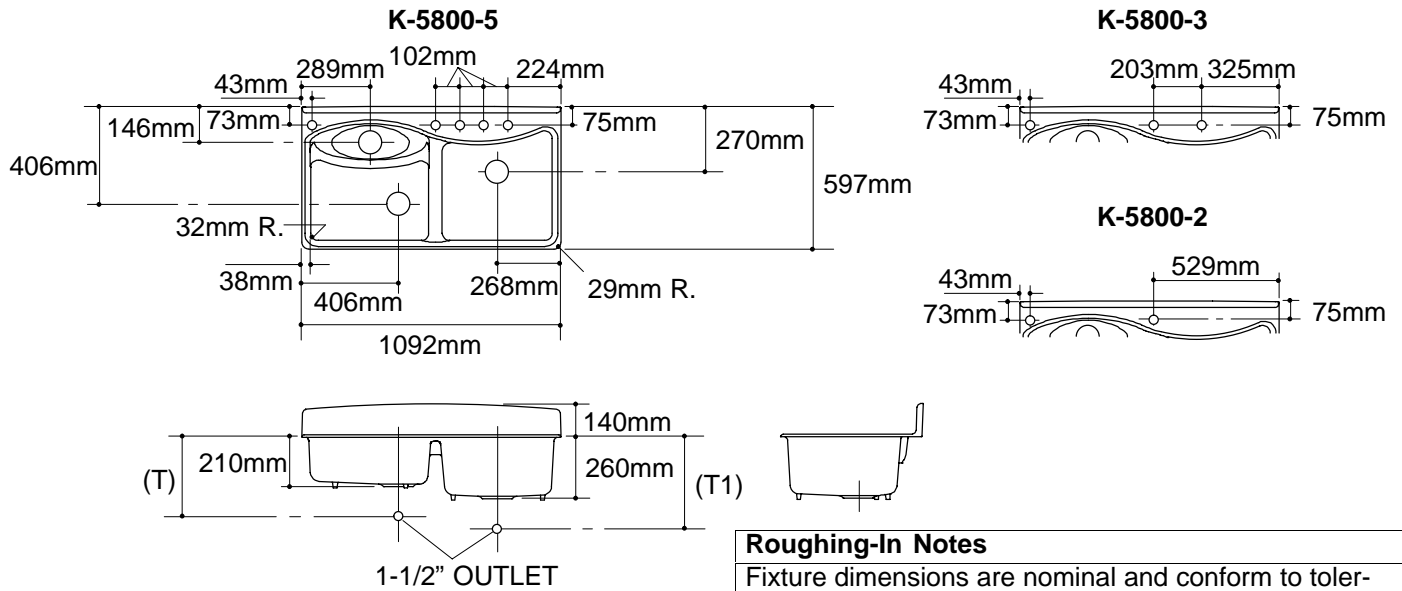
Product Information

Fixture*:		basin area	water depth
Sink, large		483 x 457mm	254mm
Sink, small		508 x 330mm	203mm
Disposal		508 x 178mm	102mm
Outlet	Ø92mm		
Faucet holes	Ø35mm		
* Approximate measurements for comparison only.			

Included Components:	
Cutout template	117019-7

Installation Notes

Refer to installation instructions included with fixture before beginning installation.



Roughing-In Notes
Fixture dimensions are nominal and conform to tolerances in ASME/ANSI Standard A112.19.1M.
For disposal unit, consult local supplier for roughing-in measurements.
(T) Drain 346mm.
(T1) Drain 397mm.