

Ordering Information

Applicable product:		
8" centers lavatory	K-2053	shown
soap dispenser on left	K-2053-L	
soap dispenser on right	K-2053-R	
4" centers lavatory	K-2054	not shown
soap dispenser on left	K-2054-L	
soap dispenser on right	K-2054-R	
Single-hole lavatory	K-2084	not shown
soap dispenser on left	K-2084-L	
soap dispenser on right	K-2084-R	
Accessories/hardware:		
Trap	K-8998	recommended

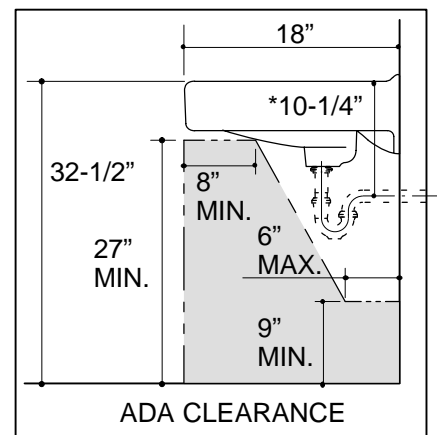
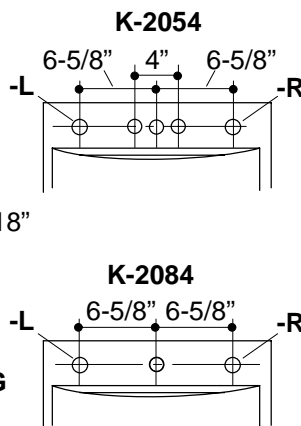
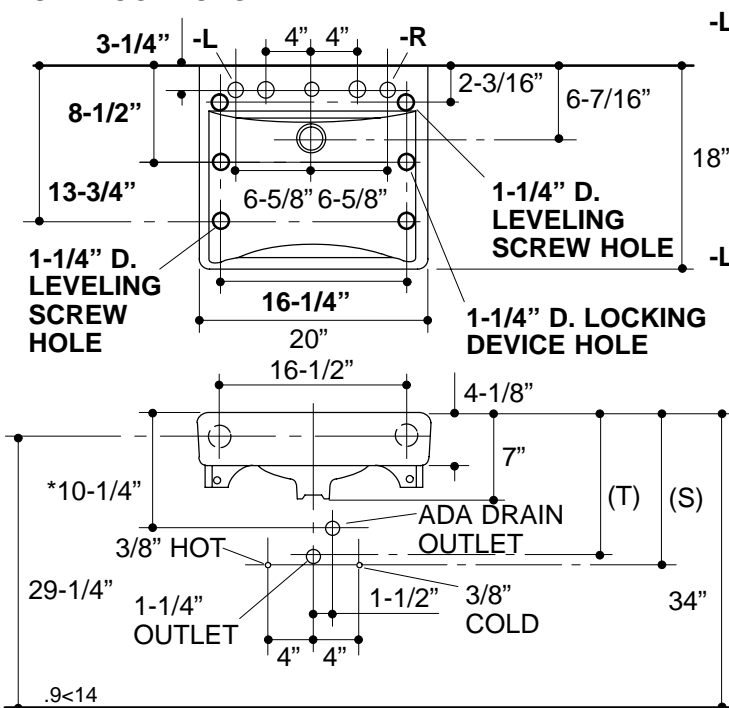
Product Information

ADA compliant.			
Fixture*:		basin area	water depth
Lavatory		18" x 13"	4-7/8"
Outlet	1-3/4" D.		
* Approximate measurements for comparison only.			
Holes	K-2053	K-2054	K-2084
Spout	1-3/16" D.	1-3/16" D.	1-3/8" D.
Faucet	1-3/8" D.	1-3/16" D.	
Soap dispenser			1-1/4" D.

Installation Notes

Refer to installation instructions included with fixture before beginning installation.

CONCEALED ARM HOLE LOCATIONS K-2053



Roughing-In Notes

- Fixture dimensions are nominal and conform to tolerances in ASME Standard A112.19.2M.
- *Based on K-8998, with 1" tailpiece exposed.
- (T) Pop-up drain 12-5/8", grid drain 11-3/4".
- (S) 14" (Based on 17-3/4" riser which may require cutting).
- Spout must be 8" long (min.) for adequate clearance into lavatory.