

Ordering Information

Applicable product:		
203mm centers lavatory	K-2053	shown
soap dispenser on left	K-2053-L	
soap dispenser on right	K-2053-R	
102mm centers lavatory	K-2054	not shown
soap dispenser on left	K-2054-L	
soap dispenser on right	K-2054-R	
Single-hole lavatory	K-2084	not shown
soap dispenser on left	K-2084-L	
soap dispenser on right	K-2084-R	
Accessories/hardware:		
Trap	K-8998	recommended

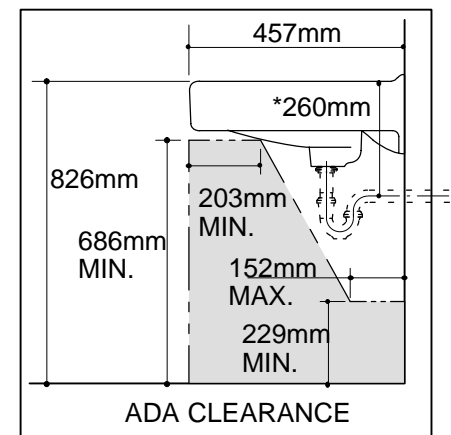
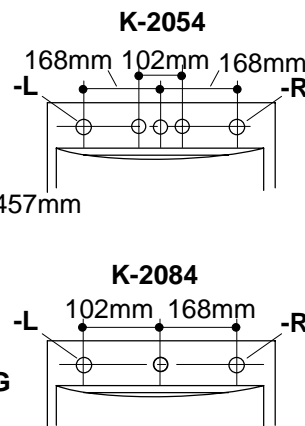
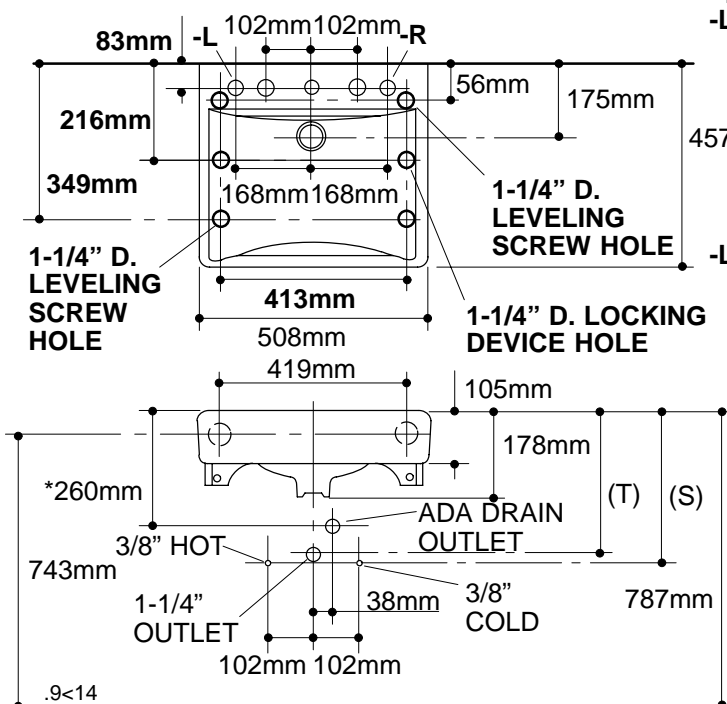
Product Information

ADA compliant.			
Fixture*:		basin area	water depth
Lavatory		457 x 330mm	124mm
Outlet	Ø44mm		
* Approximate measurements for comparison only.			
Holes	K-2053	K-2054	K-2084
Spout	Ø30mm	Ø30mm	Ø35mm
Faucet	Ø35mm	Ø30mm	
Soap dispenser			Ø32mm

Installation Notes

Refer to installation instructions included with fixture before beginning installation.

CONCEALED ARM HOLE LOCATIONS K-2053



Roughing-In Notes

- Fixture dimensions are nominal and conform to tolerances in ASME Standard A112.19.2M.
- *Based on K-8998, with 25mm tailpiece exposed.
- (T) Pop-up drain 365mm, grid drain 298mm.
- (S) 256mm (Based on 441mm riser which may require cutting).
- Spout must be 203mm long (min.) for adequate clearance into lavatory.