

Ordering Information

Accessories/hardware:		
Jet trim kit	K-9695	required
Drain	K-7161-AF	recommended
Apron	K-1243	optional

Required Electrical Service

Dedicated circuit required, protected with Class A Ground-Fault Circuit-Interrupter (GFCI):	
Pump/control	120 V., 20 A, 60 Hz

Product Information

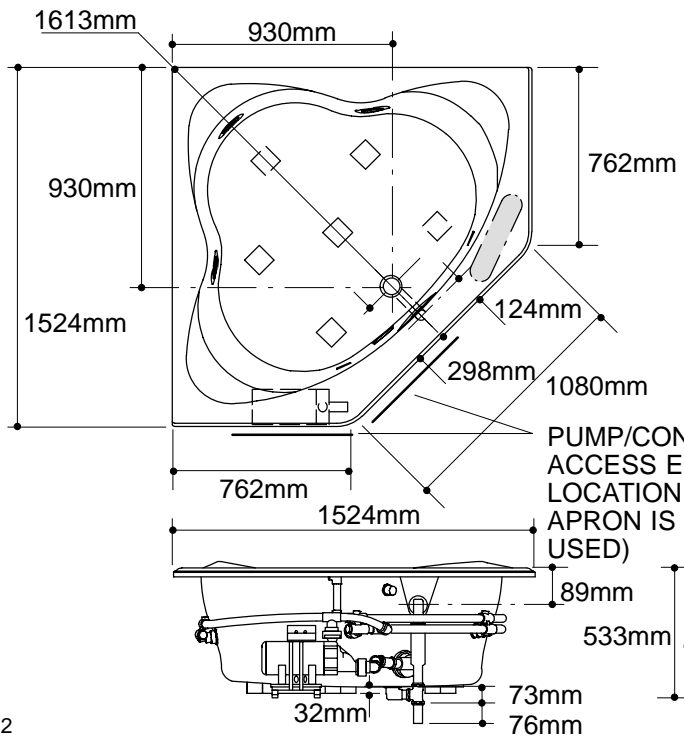
Fixture*:	basin area	top area	weight		
Bathing well	1270 x 1067mm	1524 x 1168mm	53 Kg.		
	water depth	capacity			
To overflow	368mm	386 litres			
* Approximate measurements for comparison only.					
Pump:	high HP	low HP	V	Hz	A
2-speed	1	1/8	120	60	16.5
Included Components:					
Cutout template				113925-7	

Installation Notes

Refer to installation instructions included with fixture before beginning installation.

If installing a rim-mount faucet, make sure there is no interference with drain overflow and circulating system before drilling any holes. Consult local and national codes for minimum air gap requirements if installing a spout on the faucet deck.

Pump is supplied with a grounding-type plug-in cord. Locate the outlet behind the whirlpool, and within 610mm of the pump. The apron must be installed before the finish floor and wall materials are installed.



Roughing-In Notes

Fixture conforms to ANSI Standard Z124.1. All dimensions are nominal.

No change in measurements if connected with drain illustrated.

Minimum access panel:

Pump/control	508mm W x 381mm H	required
--------------	-------------------	----------

Provide pump/control access in either location shown; supplies must not interfere with pump/control access.

Faucet area		recommended
-------------	--	-------------

