

Ordering Information

Accessories/hardware:		
Jet trim kit	K-9695	required
Drain	K-7161-AF	recommended
Apron	K-1278	optional

Required Electrical Service

Dedicated circuit required, protected with Class A Ground-Fault Circuit-Interrupter (GFCI):	
Pump/control	120 V., 20 A, 60 Hz

Product Information

Fixture*:	basin area	top area	weight
Bathing well	46" x 24"	54" x 27"	105 lbs.
	water depth	capacity	
To overflow	14"	63 gal.	

* Approximate measurements for comparison only.

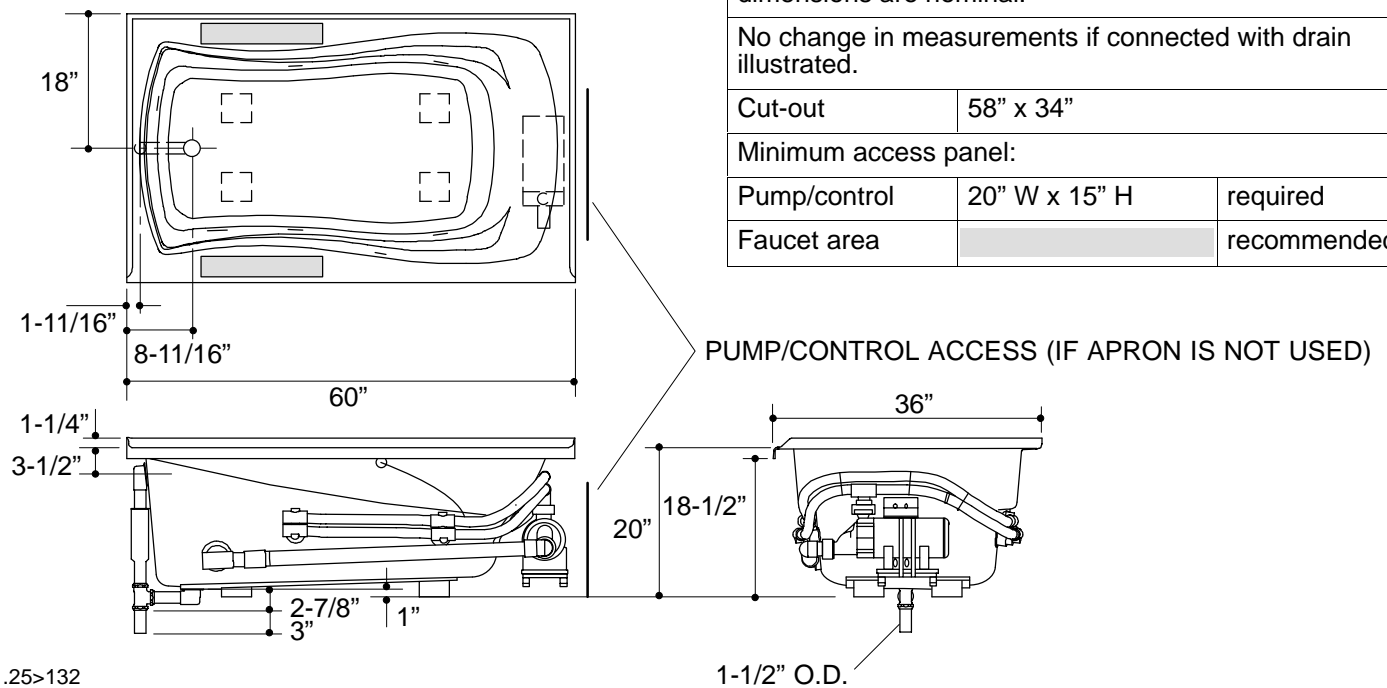
Pump	high HP	low HP	V	Hz	A
2-speed	1	1/8	120	60	16.5

Installation Notes

Refer to installation instructions included with fixture before beginning installation.

Each pump is supplied with a grounding-type plug-in cord. Locate the outlet behind the whirlpool, and within 24" of the pump.

The apron must be installed before the finish floor and wall materials are installed.



1.25>132