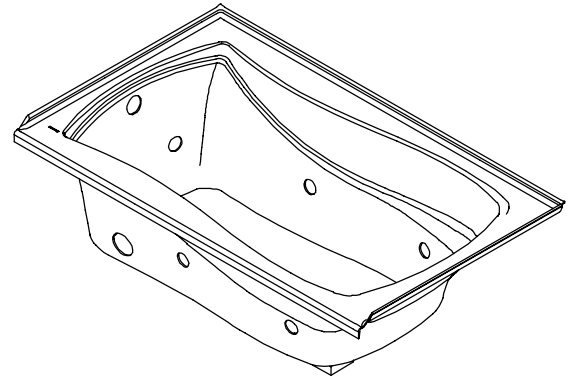


### FEATURES

- 60" x 36" x 20"
- Acrylic
- Left or right outlet
- System II - 1 hp 2 speed pump with integral heater & electronic switch
- 5 Flexjets
- UL Listed
- Optional K-1278 front apron
- Optional K-1491 removable pillow
- LESS ALL TRIM
- Pump is supplied with a grounding-type plug-in cord



### CODES/STANDARDS APPLICABLE

Specified model meets or exceeds the following:

- ANSI Z124.1
- ASME/ANSI A112.19.7M
- IAPMO/UPC
- Underwriters Laboratories (UL)
- State of Massachusetts

### COLORS/FINISHES

- 0 White
- Other Refer to Fixtures Price Book for additional colors

#### Accessories:

- CP Polished Chrome
- PB Polished Brass
- Other Refer to Price Book for additional finishes

### SPECIFIED MODEL:

Model	Description	Colors/Finishes		
K-1239-H	Bath whirlpool	<input type="checkbox"/> 0 White	<input type="checkbox"/> Other _____	
<b>Required Accessories</b>				
K-9695	Jet trim kit	<input type="checkbox"/> CP	<input type="checkbox"/> PB	<input type="checkbox"/> Other _____
<b>Recommended Accessories</b>				
K-7161-AF	Drain	<input type="checkbox"/> CP	<input type="checkbox"/> PB	<input type="checkbox"/> Other _____
<b>Optional Accessories</b>				
K-1278	Apron (removable)	<input type="checkbox"/> 0 White	<input type="checkbox"/> Other _____	
K-1491	Pillow	<input type="checkbox"/> 0 White	<input type="checkbox"/> Other _____	

### PRODUCT SPECIFICATION:

The bath whirlpool shall be 60" in length, 36" in width, and 20" in height. Bath whirlpool shall be made of acrylic. Bath whirlpool shall have System II, with 5 Flexjets, 1 hp 2 speed pump with integral heater, and electronic switch. Bath whirlpool shall be UL listed. Bath whirlpool shall have optional K-1278 front apron. Bath whirlpool shall have optional K-1491 removable pillow. Bath whirlpool shall be less all trim. Bath whirlpool pump shall be supplied with a grounding-type plug-in cord. Bath whirlpool shall be Kohler Model K-1239-H-\_\_\_\_\_.

# MARIPOSA™

## REQUIRED ELECTRICAL SERVICE

Dedicated circuit required, protected with Class A Ground-Fault Circuit-Interrupter (GFCI):

Pump/control	120 V., 20 A, 60 Hz
--------------	---------------------

## PRODUCT INFORMATION

Fixture*:	basin area	top area	weight
Bathing well	46" x 24"	54" x 27"	105 lbs.
	water depth	capacity	
To overflow	14"	63 gal.	

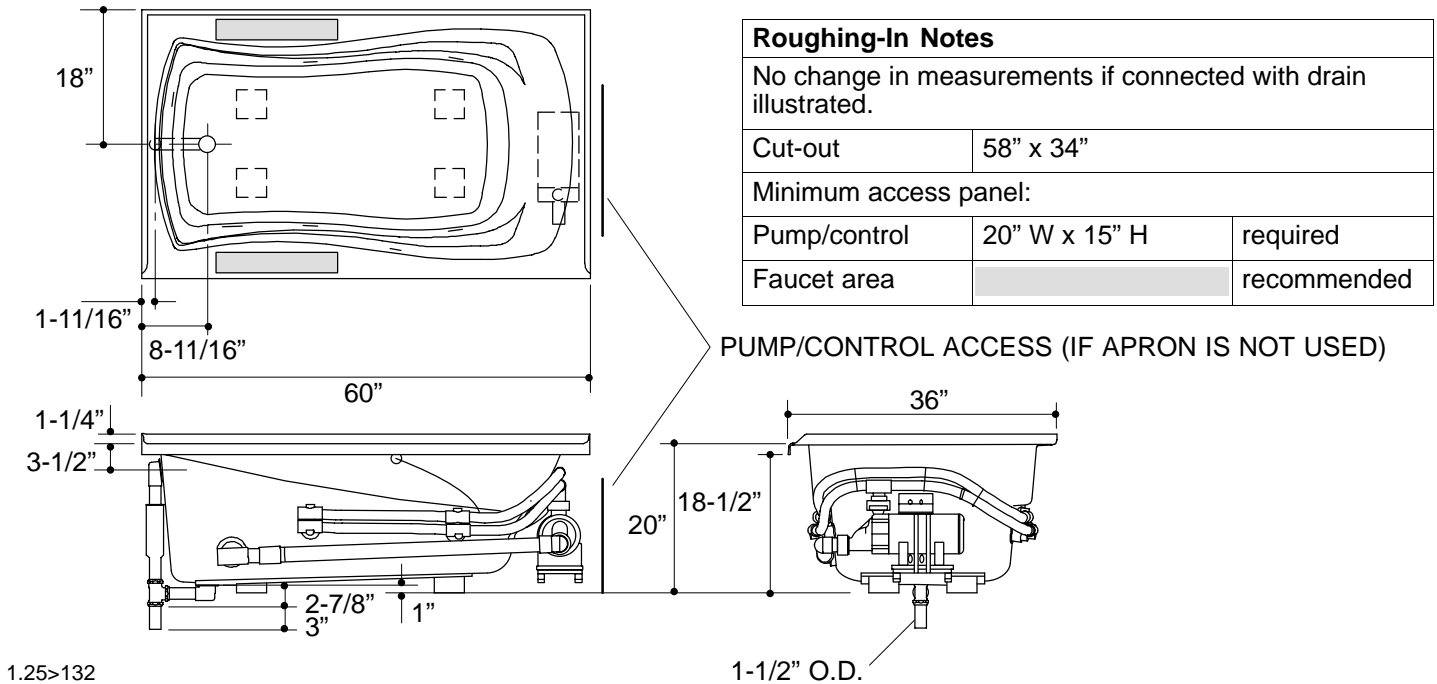
\* Approximate measurements for comparison only.

Pump	high HP	low HP	V	Hz	A
2-speed	1	1/8	120	60	16.5

## INSTALLATION NOTES

Each pump is supplied with a grounding-type plug-in cord. Locate the outlet behind the whirlpool, and within 24" of the pump.

The apron must be installed before the finish floor and wall materials are installed.



## PRODUCT DIAGRAM