

Ordering Information

Accessories/hardware:		
Drain	K-11677	recommended
Vinyl tiling-in bead*	K-1179	optional
Apron	K-1283	optional

*Use K-1179 vinyl bead when wall material contacts any top surface of bath.

Required Electrical Service

Dedicated circuit required, protected with Class A Ground-Fault Circuit-Interrupter (GFCI):	
Pump/control	120 V., 15 A, 60 Hz

Product Information

Fixture*:	basin area	top area	weight
Bathing well	1346 x 660mm	1651 x 864mm	32 Kg.
	water depth	capacity	
To overflow	15"	78 gal.	
To overflow	381mm	295 litres	

* Approximate measurements for comparison only.

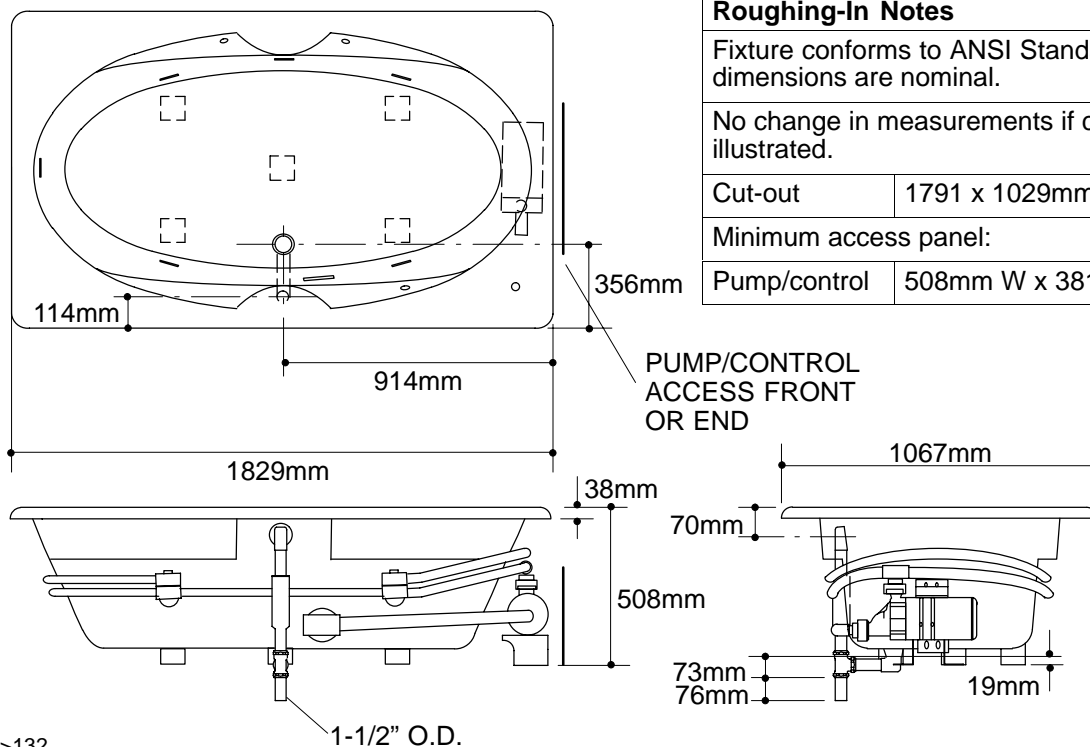
Pump:	HP	V	Hz	A
1-speed	3/4	120	60	9.5

Installation Notes

Refer to installation instructions included with fixture before beginning installation.

Pump is supplied with a grounding type plug-in cord. Locate the outlet behind the whirlpool, and within 610mm of the pump.

The apron must be installed before the finished floor and wall materials are installed.



Roughing-In Notes		
Fixture conforms to ANSI Standard Z124.1. All dimensions are nominal.		
No change in measurements if connected with drain illustrated.		
Cut-out	1791 x 1029mm	
Minimum access panel:		
Pump/control	508mm W x 381mm H	required

1.25>132

K-1131-D System Basic 7242 Bath Whirlpool
117156-1M-AA (-)

KOHLER®