

### Ordering Information

Accessories/hardware:		
Drain	K-11677	recommended
Vinyl tiling-in bead*	K-1179	optional
*Use K-1179 vinyl bead when wall material contacts any top surface of bath.		

### Required Electrical Service

Dedicated circuit required, protected with Class A Ground-Fault Circuit-Interrupter (GFCI):	
Pump/control	120 V., 15 A, 60 Hz

### Product Information

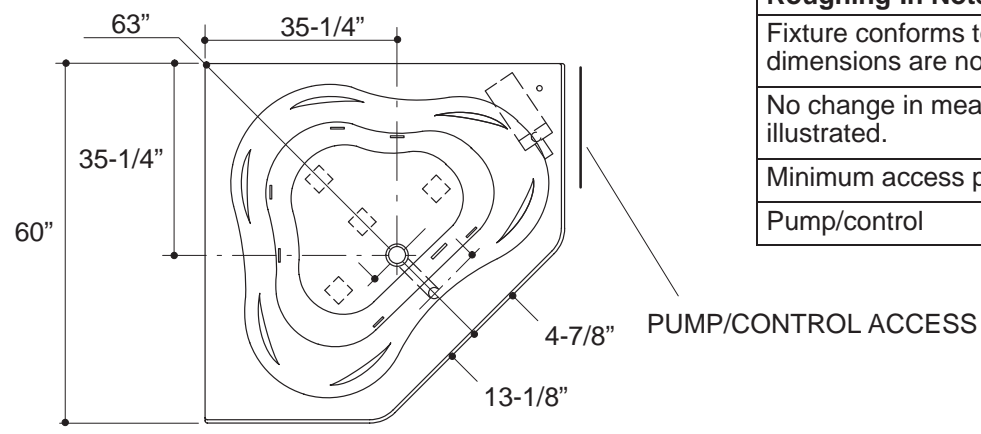
Fixture*:	basin area	top area	weight	
Bathing well	49" x 39"	62" x 47"	89 lbs.	
	water depth	capacity		
To overflow	15-1/2"	96 gal.		
* Approximate measurements for comparison only.				
Pump:	HP	V	Hz	A
1-speed	3/4	120	60	9.5

### Installation Notes

Refer to installation instructions included with fixture before beginning installation.

**NOTICE:** Unless otherwise specified, floor support under whirlpool must provide for a minimum of 80 lbs./square foot loading.

Pump is supplied with a grounding type plug-in cord. Locate the outlet behind the whirlpool, and within 24" of the pump.



<b>Roughing-In Notes</b>		
Fixture conforms to ANSI Standard Z124.1. All dimensions are nominal.		
No change in measurements if connected with drain illustrated.		
Minimum access panel:		
Pump/control	20" W x 15" H	required

