

## SYSTEM BASIC 6060 CORNER ACRYLIC BATH WHIRLPOOL

### K-1144-D

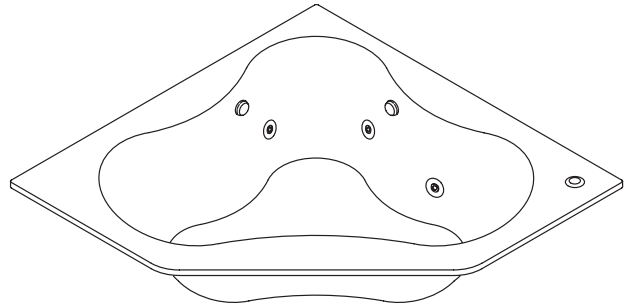
### FEATURES

- 60" x 60" x 20-1/4"
- Acrylic
- 6 individually adjustable multi-directional hydro-massage jets
- 3/4 HP pump with air switch and cord with plug
- Molded lumbar supports and armrests
- UL listed
- For corner installation

### CODES/STANDARDS APPLICABLE

Specified model meets or exceeds the following:

- ASME/ANSI A112.19.7M
- ANSI Z124.1
- IAPMO/UPC
- Underwriters Laboratories (UL)
- State of Massachusetts



### COLORS/FINISHES

- 0 White
- Other Refer to Fixtures Price Book for additional colors

### SPECIFIED MODEL:

Model	Description	Colors/Finishes	
K-1144-D	60" x 60" bath whirlpool	<input type="checkbox"/> 0 White	<input type="checkbox"/> Other_____
<b>Recommended Accessories</b>			
K-11677	Drain		<input type="checkbox"/> CP
<b>Optional Accessories</b>			
K-1179	Vinyl tiling-in bead (use when wall material contacts any top surface of bath)		<input type="checkbox"/> NA

### PRODUCT SPECIFICATION:

The bath whirlpool shall be 60" in length, 60" in width, and 20-1/4" in height. Bath whirlpool shall be made of acrylic. Bath whirlpool shall have 6 individually adjustable multi-directional hydro-massage jets, 3/4 HP pump with air switch and cord with plug. Bath whirlpool shall have molded lumbar supports and armrests. Bath whirlpool shall be UL listed. Bath whirlpool shall be for corner installation. Bath whirlpool shall be Kohler Model K-1144-D\_\_\_\_\_.

# SYSTEM BASIC 6060 CORNER

## REQUIRED ELECTRICAL SERVICE

Dedicated circuit required, protected with Class A Ground-Fault Circuit-Interrupter (GFCI):	
Pump/control	120 V., 15 A, 60 Hz

## PRODUCT INFORMATION

Fixture*:	basin area	top area	weight
Bathing well	49" x 39"	62" x 47"	89 lbs.
	water depth	capacity	
To overflow	15-1/2"	96 gal.	

\* Approximate measurements for comparison only.

Pump:	HP	V	Hz	A
1-speed	3/4	120	60	9.5

## INSTALLATION NOTES

**NOTICE:** Unless otherwise specified, floor support under whirlpool must provide for a minimum of 80 lbs./square foot loading.

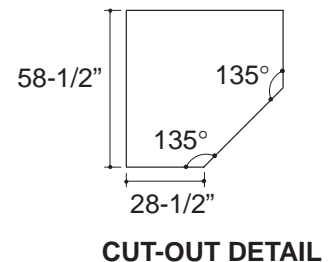
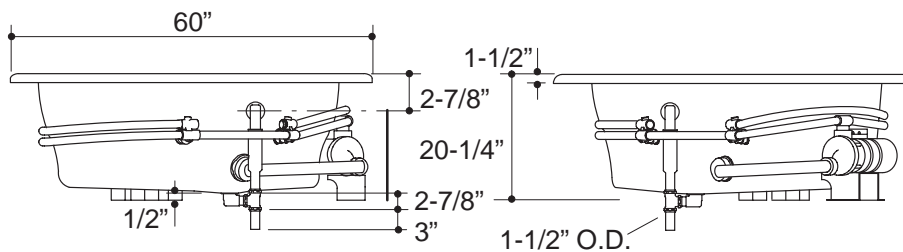
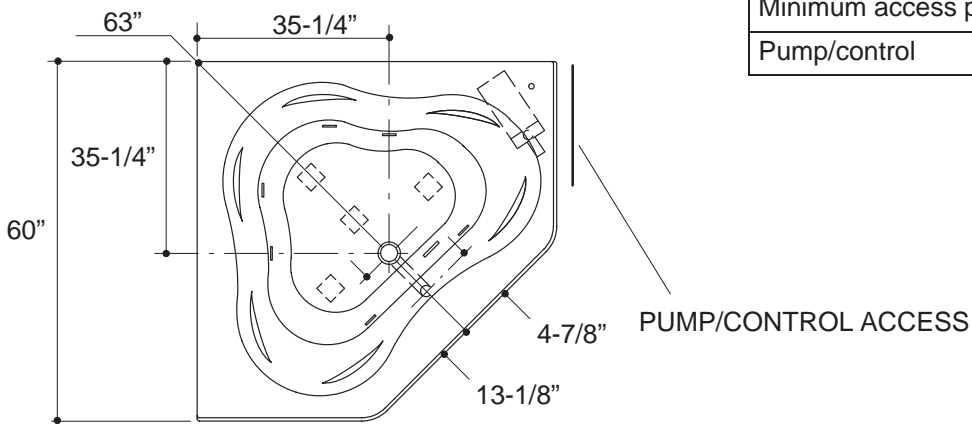
Pump is supplied with a grounding type plug-in cord. Locate the outlet behind the whirlpool, and within 24" of the pump.

## Roughing-In Notes

No change in measurements if connected with drain illustrated.

Minimum access panel:

Pump/control	20" W x 15" H	required
--------------	---------------	----------



132

## PRODUCT DIAGRAM