

### Ordering Information

Accessories/hardware:		
Drain	K-11677	recommended
Vinyl tiling-in bead*	K-1179	optional
Apron	K-1283	optional

\*Use K-1179 vinyl bead when wall material contacts any top surface of bath.

### Product Information

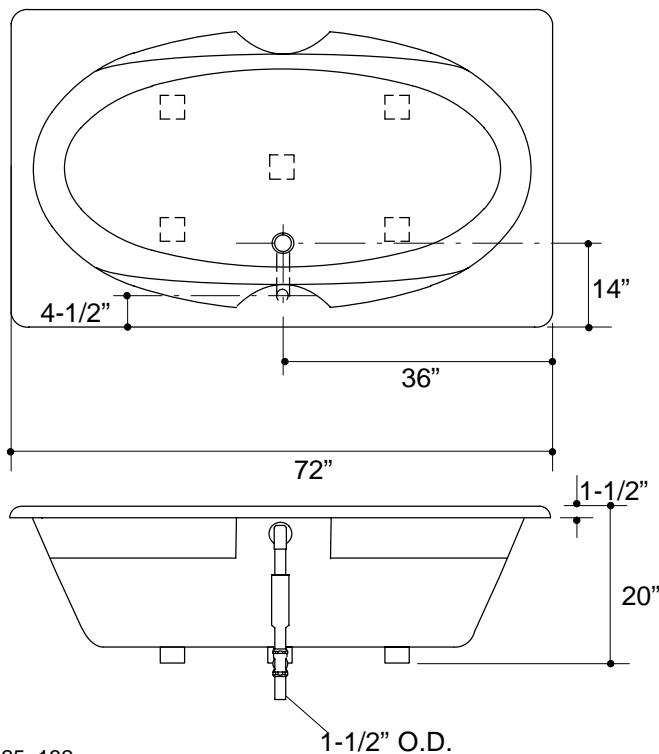
Fixture*:	basin area	top area	weight
Bathing well	53" x 26"	65" x 34"	51 lbs.
	water depth	capacity	
To overflow	15"	78 gal.	

\* Approximate measurements for comparison only.

### Installation Notes

Refer to installation instructions included with fixture before beginning installation.

The apron must be installed before the finished floor and wall materials are installed.

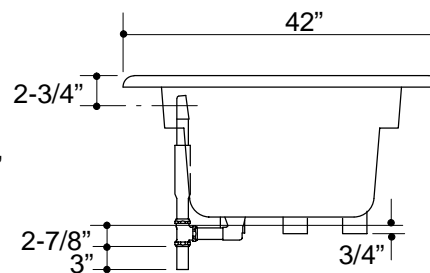


### Roughing-In Notes

Fixture conforms to ANSI Standard Z124.1. All dimensions are nominal.

No change in measurements if connected with drain illustrated.

Cut-out	70-1/2" x 40-1/2"
---------	-------------------



1.25>132

**K-1132-D** System Basic 7242 Bath  
117186-1-AA (-)

**KOHLER®**