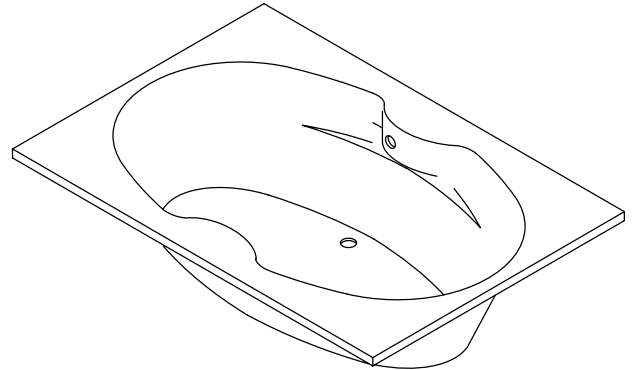


FEATURES

- 72" x 42" x 20"
- Acrylic
- Molded lumbar supports and armrests
- Optional K-1283 front apron



CODES/STANDARDS APPLICABLE

Specified model meets or exceeds the following:

- ANSI Z124.1
- CABO/ANSI A117.1
- IAPMO/UPC
- State of Massachusetts

COLORS/FINISHES

- 0 White
- Other Refer to Fixtures Price Book for additional colors

SPECIFIED MODEL:

Model	Description	Colors/Finishes	
K-1132-D	72" x 42" bath	<input type="checkbox"/> 0 White	<input type="checkbox"/> Other_____
Recommended Accessories			
K-11677	Drain		<input type="checkbox"/> CP
Optional Accessories			
K-1179	Vinyl tiling-in bead (use when wall material contacts any top surface of bath)		<input type="checkbox"/> NA
K-1283	Apron (removeable)	<input type="checkbox"/> 0 White	<input type="checkbox"/> Other_____

PRODUCT SPECIFICATION:

The bath shall be 72" in length, 42" in width, and 20" in height. Bath shall be made of acrylic. Bath shall have molded lumbar supports and armrests. Bath shall have optional K-1283 front apron. Bath shall be Kohler Model K-1132-D_____.

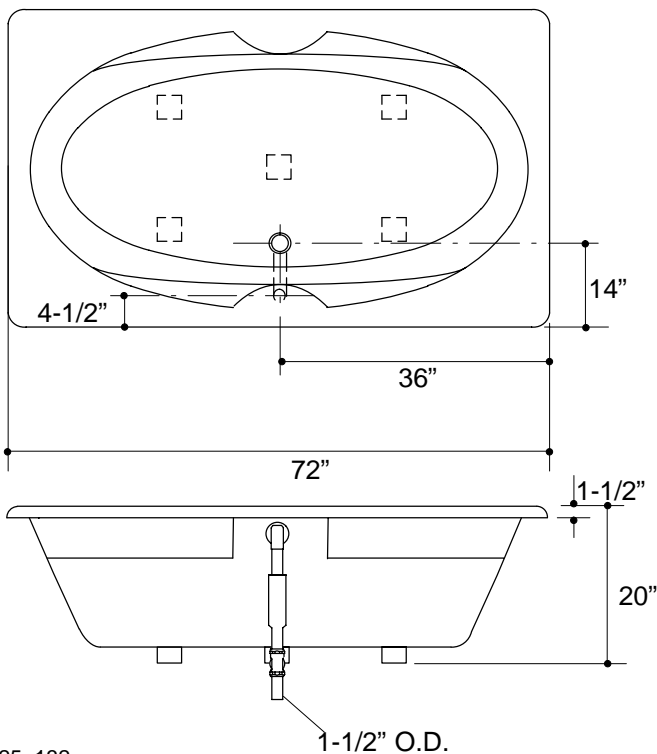
SYSTEM BASIC 7242

PRODUCT INFORMATION

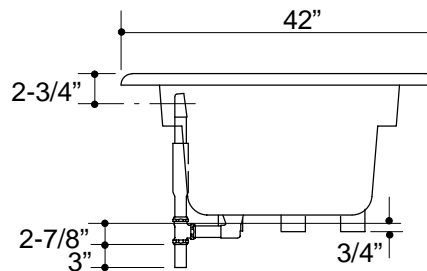
Fixture*:	basin area	top area	weight
Bathing well	53" x 26"	65" x 34"	51 lbs.
	water depth	capacity	
To overflow	15"	78 gal.	
* Approximate measurements for comparison only.			

INSTALLATION NOTES

The apron must be installed before the finished floor and wall materials are installed.



Roughing-In Notes	
No change in measurements if connected with drain illustrated.	
Cut-out	70-1/2" x 40-1/2"



PRODUCT DIAGRAM