

Ordering Information

Accessories/hardware:		
Drain	K-11677	recommended
Vinyl tiling-in bead*	K-1179	optional
Apron	K-1283	optional

*Use K-1179 vinyl bead when wall material contacts any top surface of bath.

Product Information

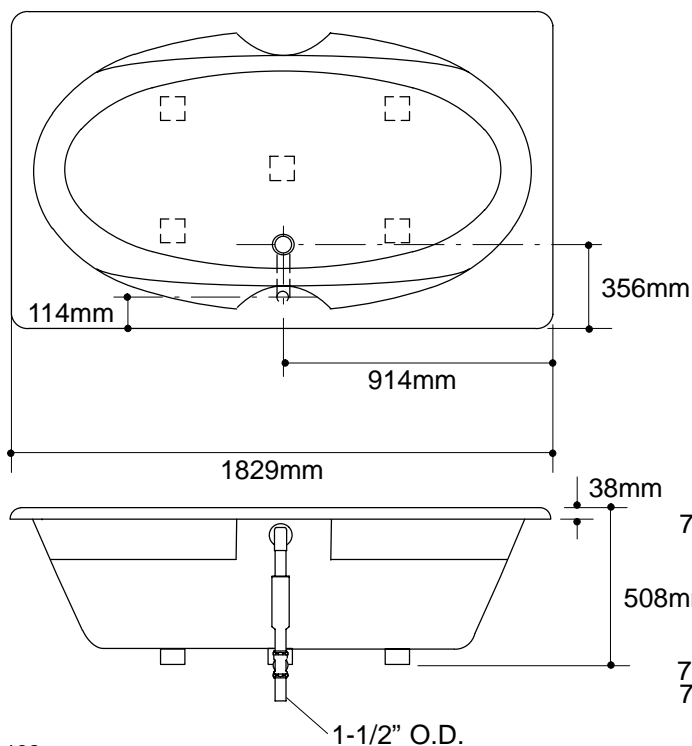
Fixture*:	basin area	top area	weight
Bathing well	1346 x 660mm	1651 x 864mm	23 Kg.
	water depth	capacity	
To overflow	381mm	295 litres	

* Approximate measurements for comparison only.

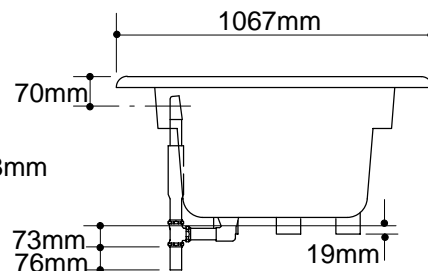
Installation Notes

Refer to installation instructions included with fixture before beginning installation.

The apron must be installed before the finished floor and wall materials are installed.



Roughing-In Notes	
Fixture conform to ANSI Standard Z124.1. All dimensions are nominal.	
No change in measurements if connected with drain illustrated.	
Cut-out	1791 x 1029mm



1.25>132

K-1132-D System Basic 7242 Bath
117186-1M-AA (-)

KOHLER®