

Ordering Information

Accessories/hardware:		
Drain	K-11677	recommended
Vinyl tiling-in bead*	K-1179	optional
*Use K-1179 vinyl bead when wall material contacts any top surface of bath.		

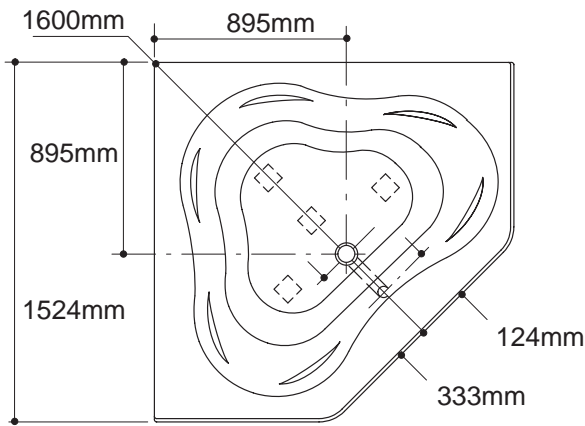
Product Information

Fixture*:	basin area	top area	weight
Bathing well	1245 x 991mm	1575 x 1194mm	32 Kg.
	water depth	capacity	
To overflow	394mm	363 litres	
* Approximate measurements for comparison only.			

Installation Notes

Refer to installation instructions included with fixture before beginning installation.

NOTICE: Unless otherwise specified, floor support under bath must provide for a minimum of 36 Kg./square foot loading.



Roughing-In Notes

Fixture conforms to ANSI Standard Z124.1. All dimensions are nominal.

No change in measurements if connected with drain illustrated.

