

Ordering Information

Accessories/hardware:		
Jet trim kit	K-9661	required
Transfer valve trim*	varies	required
Handshower*	varies	required
Faucet trim kit*	varies	required
Drain	K-7167	recommended

*See specification sheet or price book for required accessories.

Required Electrical Service

Two separate dedicated circuits required, each protected with Class A Ground-Fault Circuit-Interrupter (GFCI):

Pump/control, (waterfall)	120 V., 20 A, 60 Hz
Pump/control, (jets)	120 V., 20 A, 60 Hz

Product Information

Fixture*:	basin area	top area	weight
Bathing well	61" x 46"	68" x 58"	240 lbs.
	water depth	capacity	
To overflow	20"	215 gal.	

* Approximate measurements for comparison only.

Product Information Cont.

Pump: (Qty. 2)	HP	V	Hz	A
1-speed	2	120	60	18.5

Included Components:	
Cutout template	85899-7

Installation Notes

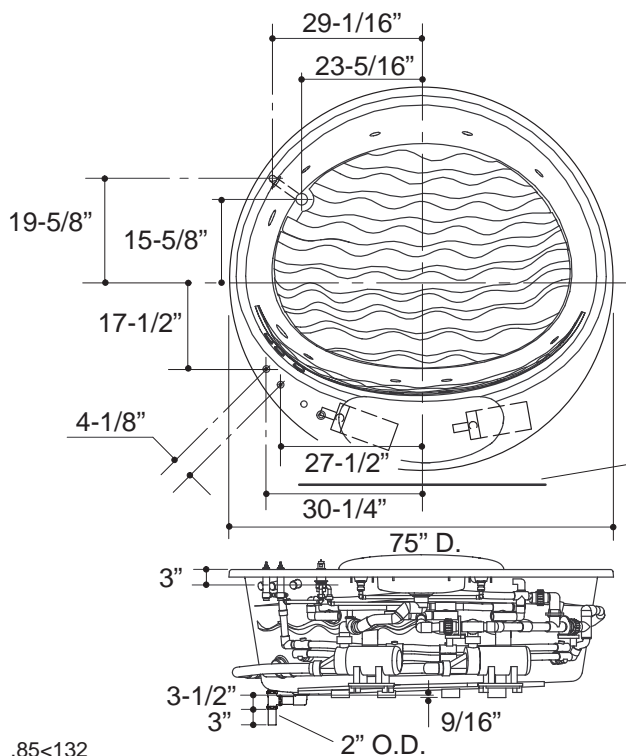
Refer to installation instructions included with fixture before beginning installation.

NOTICE: Unless otherwise specified, floor support under Riverbath must provide for a minimum of 80 lbs./square foot loading.

Pumps are supplied with grounding-type plug-in cords. Locate the outlets behind the RiverBath, and within 24" of the pumps.

Consult local and national codes for minimum air gap requirements if installing a spout on the faucet deck other than that supplied.

Two 60 gallon (120 gallon total) water heaters are necessary to fill RiverBath.



Roughing-In Notes

Fixture conforms to ANSI Standard Z124.1. All dimensions are nominal.

No change in measurements if connected with drain illustrated.

Cut-out	73-1/2" D.
---------	------------

Minimum access panel:

Pump/control	48" W x 18" H	required
--------------	---------------	----------

