

Ordering Information

Accessories/hardware:		
Jet trim kit	K-9696	required
Drain	K-7166-AF	recommended
Apron	K-1283	optional

Required Electrical Service

Dedicated circuit required, protected with Class A Ground-Fault Circuit-Interrupter (GFCI):	
Pump/control	120 V., 20 A, 60 Hz

Product Information

Fixture*:	basin area	top area	weight
Bathing well	1270 x 610mm	1651 x 686mm	50 Kg.
	water depth	capacity	
To overflow	356mm	273 litres	

* Approximate measurements for comparison only.

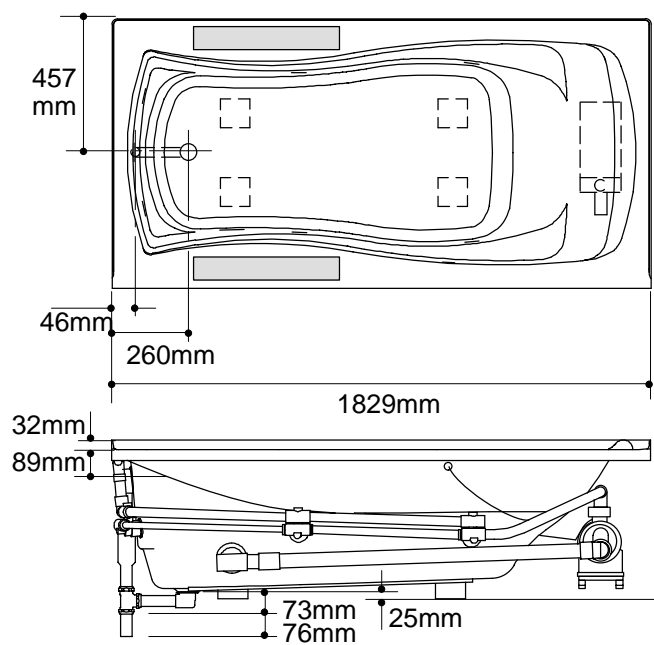
Pump	high HP	low HP	V	Hz	A
2-speed	1	1/8	120	60	16.5

Installation Notes

Refer to installation instructions included with fixture before beginning installation.

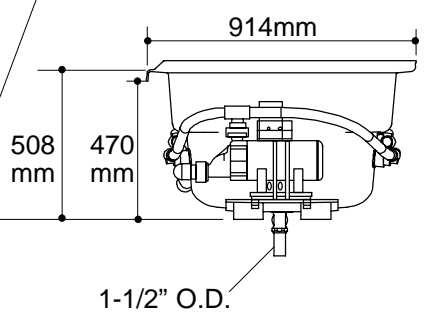
Each pump is supplied with a grounding-type plug-in cord. Locate the outlet behind the whirlpool, and within 610mm of the pump.

The apron must be installed before the finish floor and wall materials are installed.



Roughing-In Notes		
Fixture conforms to ANSI Standard Z124.1. All dimensions are nominal.		
No change in measurements if connected with drain illustrated.		
Cut-out	1778 x 686mm	
Minimum access panel:		
Pump/control	508mm W x 381mm H	required
Faucet area		recommended

PUMP/CONTROL ACCESS (IF APRON IS NOT USED)



1.25>132