

Ordering Information

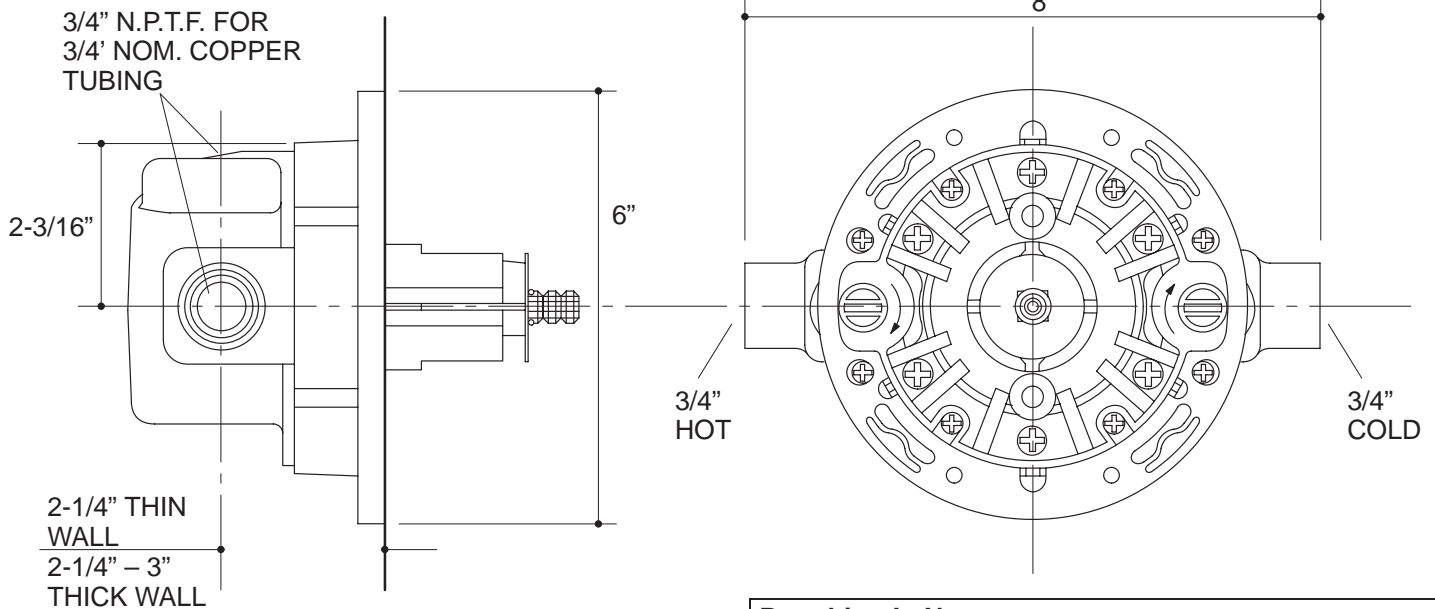
Applicable valve:	
Hi Flow Rite-Temp with integral stops	K-306-KS

Installation Notes

Avoid cross-flow conditions. Do not install shut-off device on either valve outlet.

Cap shower outlet if deck-mount spout, diverter, or handshower is connected to spout outlet.

Install straight pipe or tube drop of 7 to 18" with single elbow between valve and wall-mount spout.



Roughing-In Notes
Stops are integral to the assembly.