

**PRESSURE-BALANCING VALVE
K-306-KS**

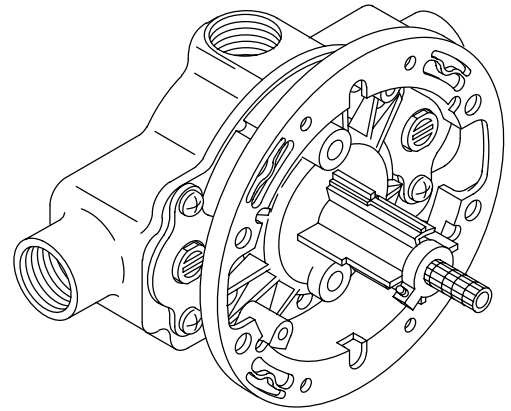
FEATURES

- Brass valve body
- HiFlo Rite-Temp pressure-balancing diaphragm design valve
- High-temperature limit stop
- Pressure-balancing mechanism of one-piece diaphragm cartridge design for ease of maintenance
- Mixing valve cycles from “cold” to “hot”
- Integral shut-off valve stops
- 3/4” N.P.T.

CODES/STANDARDS APPLICABLE

Specified model meets or exceeds the following:

- ASME/ANSI A112.18.1M
- ASSE/ANSI 1016



COLORS/FINISHES

- NA Not applicable

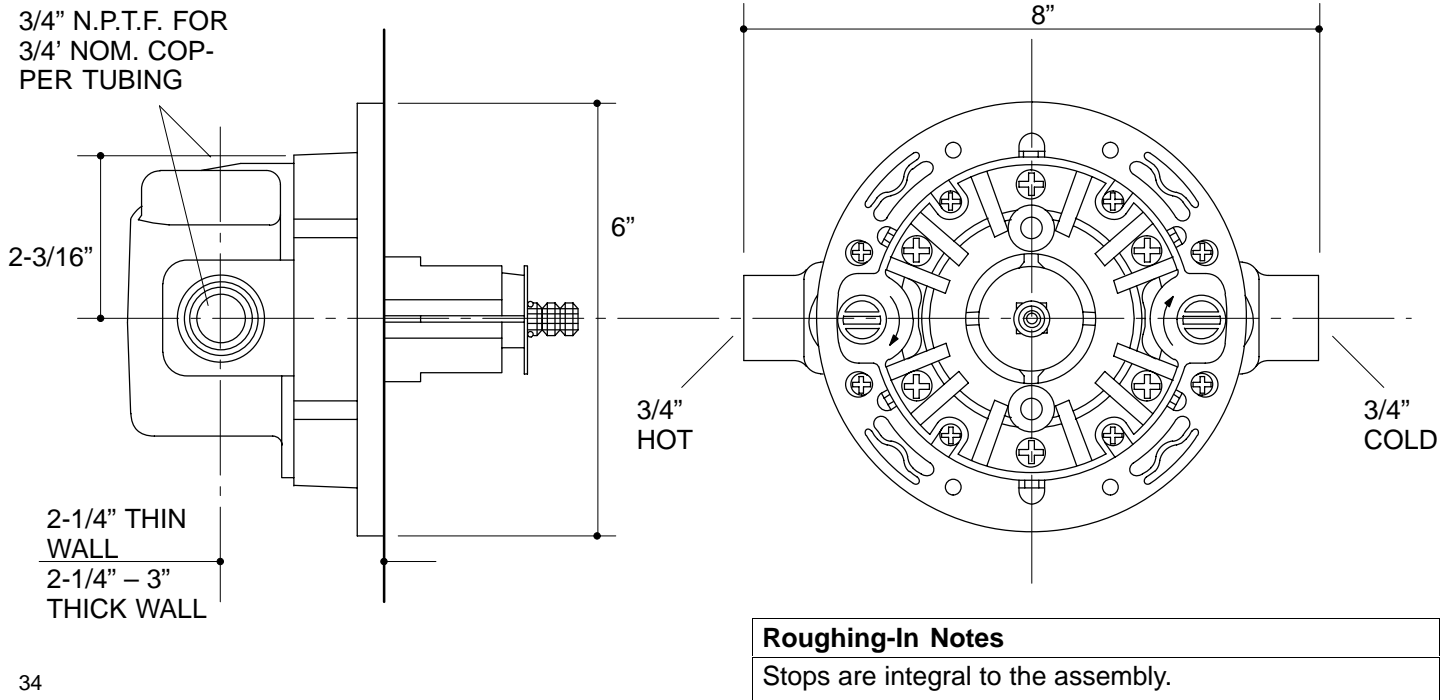
SPECIFIED MODEL:

Model	Description	
K-306-KS	HiFlo Rite-Temp Pressure-Balancing Valve	<input type="checkbox"/> NA

PRODUCT SPECIFICATION:

HiFlo Rite-Temp pressure-balancing single-control valve shall feature a brass valve body. The valve shall mix the water from the “off” position, through the “cold” to the “hot”, and includes a high-temperature limit stop. The pressure-balancing mechanism shall be of one-piece diaphragm cartridge design for ease of maintenance. Product shall feature integral shut-off valve stops. HiFlo Rite-Temp pressure-balancing valve shall be Kohler Model K-306-KS-NA.

HIFLO RITE-TEMP™



34

PRODUCT DIAGRAM