


Ordering Information

Applicable valve:	
Hi Flow Rite-Temp with integral stops	K-306-KS
Thin wall installation kit	88526

Product Information

Minimum operating pressure 15 p.s.i.	
 WARNING: Risk of damage to the valve assembly. When using this valve in a fiberglass or acrylic installation, use the thin wall installation kit (88526).	

Installation Notes

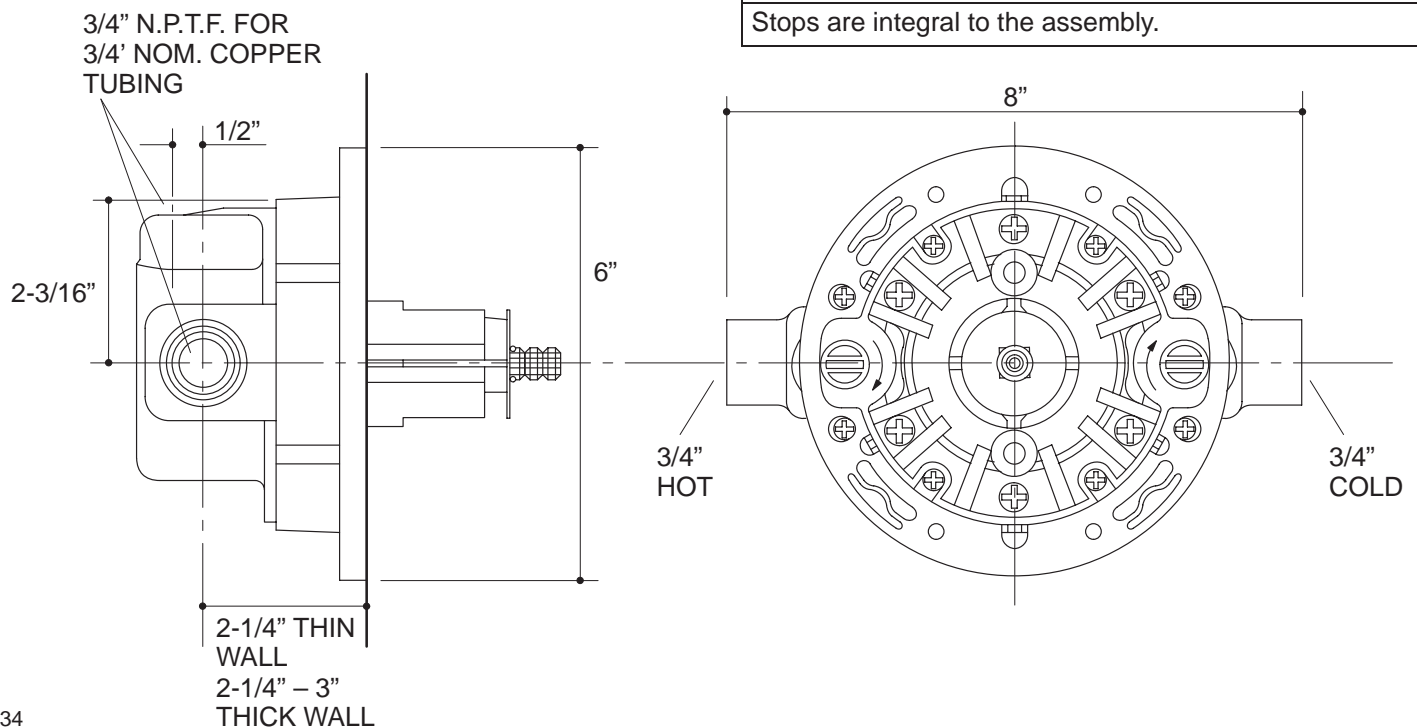
Avoid cross-flow conditions. Do not install shut-off device on either valve outlet.

Cap shower outlet if deck-mount spout, diverter, or handshower is connected to spout outlet.

Install straight pipe or tube drop of 7 to 18" with single elbow between valve and wall-mount spout.

Roughing-In Notes

Stops are integral to the assembly.



34