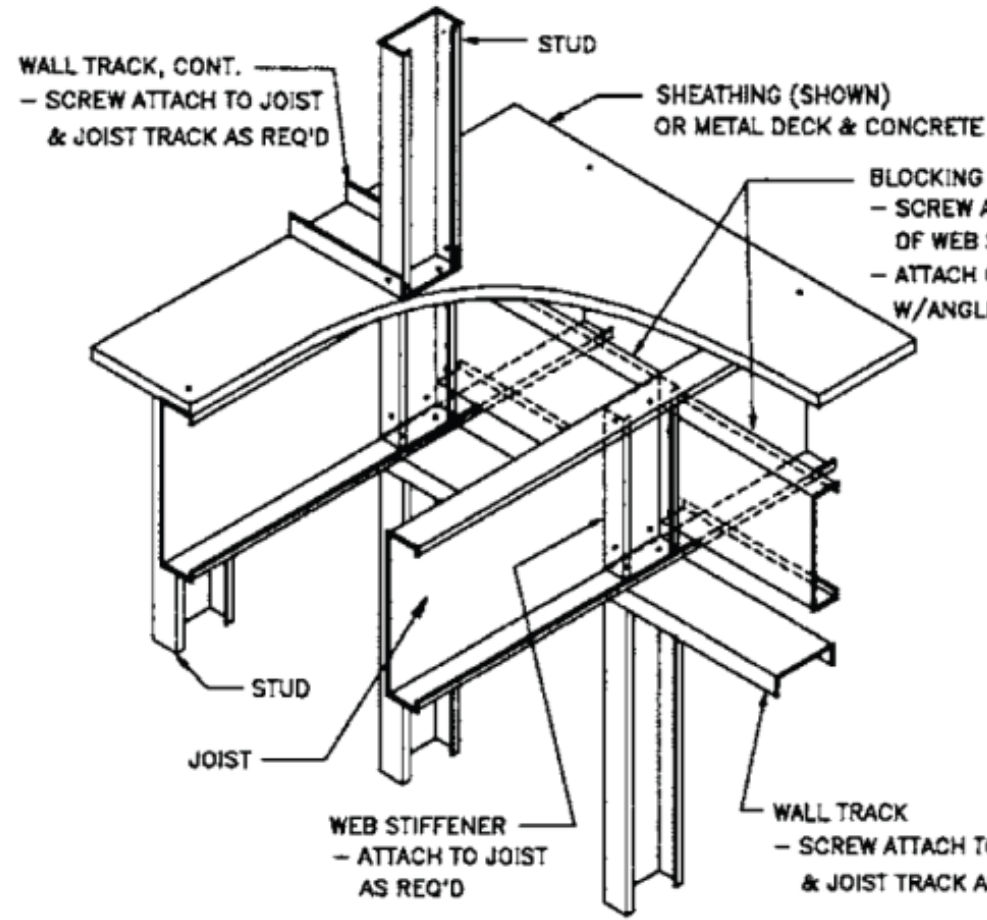
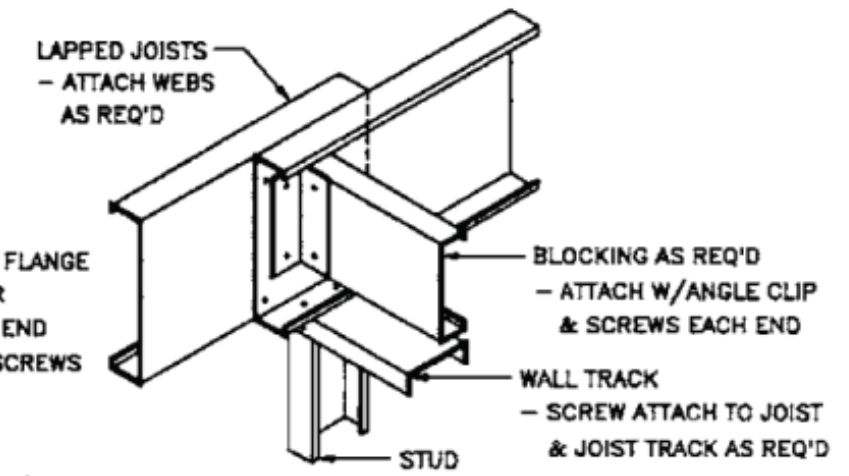


**K** JOISTS @ SIDE WALL

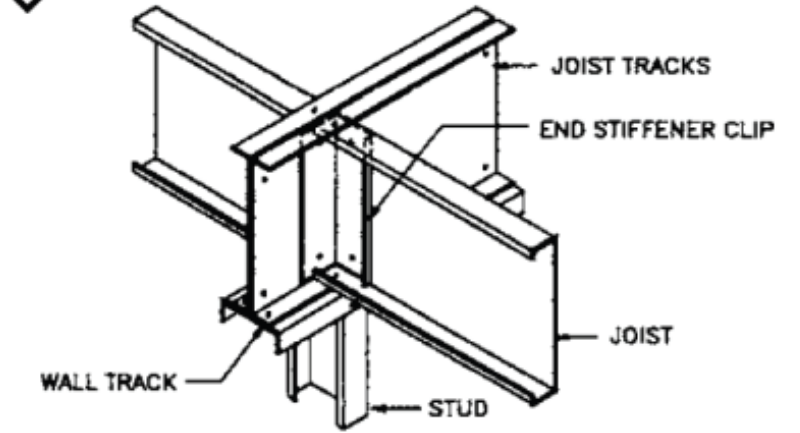


**L1** CONTINUOUS JOISTS  
NOTE: ALIGN JOIST & STUD AS SHOWN.

**L** JOISTS OVER INTERIOR WALL



**L2** LAPPED JOISTS  
NOTE: ALIGN JOIST & STUD AS SHOWN.



**L3** ABUTTING JOISTS  
NOTE: ALIGN JOIST AND STUD AS SHOWN. WHERE OFFSET IS ANTICIPATED, JOIST TRACK, SIZED AS REQUIRED, MAY BE USED TO TRANSFER JOIST REACTION.