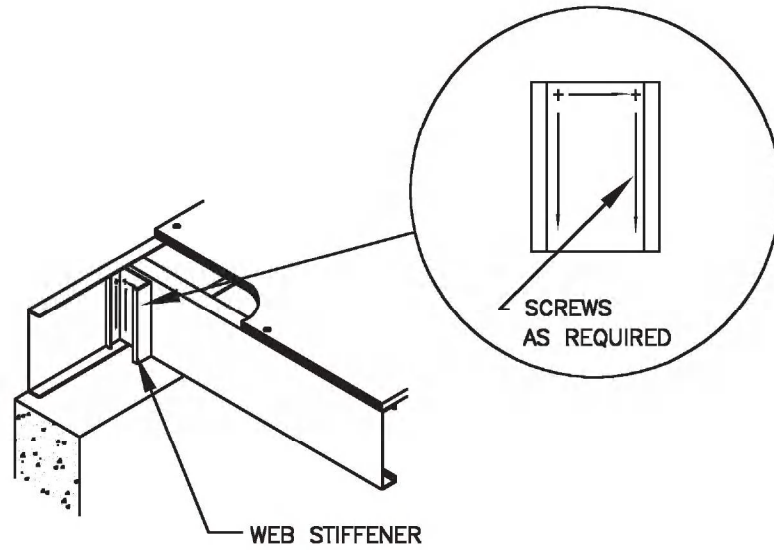
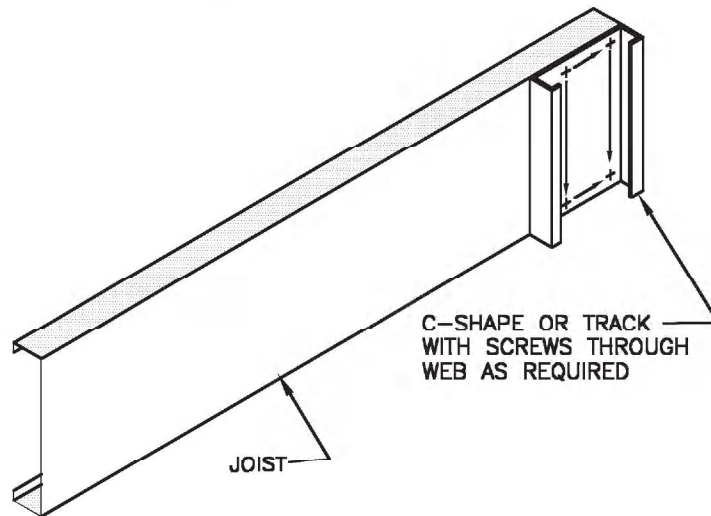


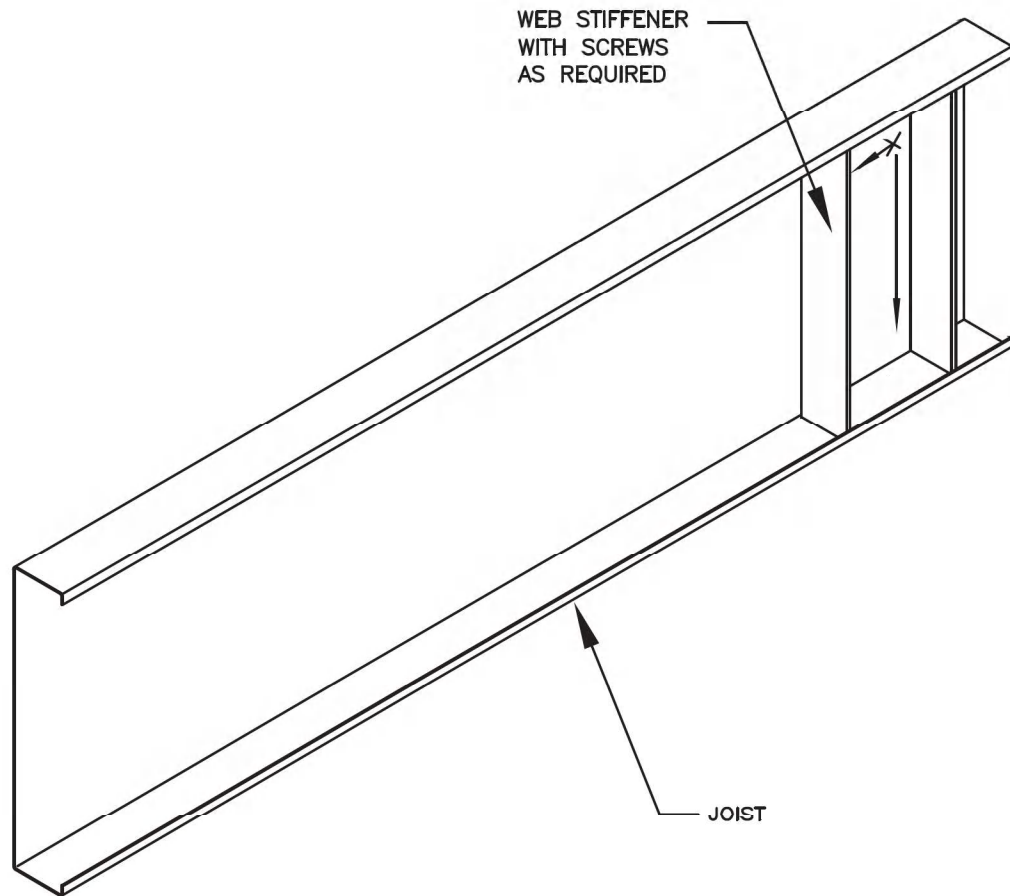
Detail G9
Web Stiffener Detail 1



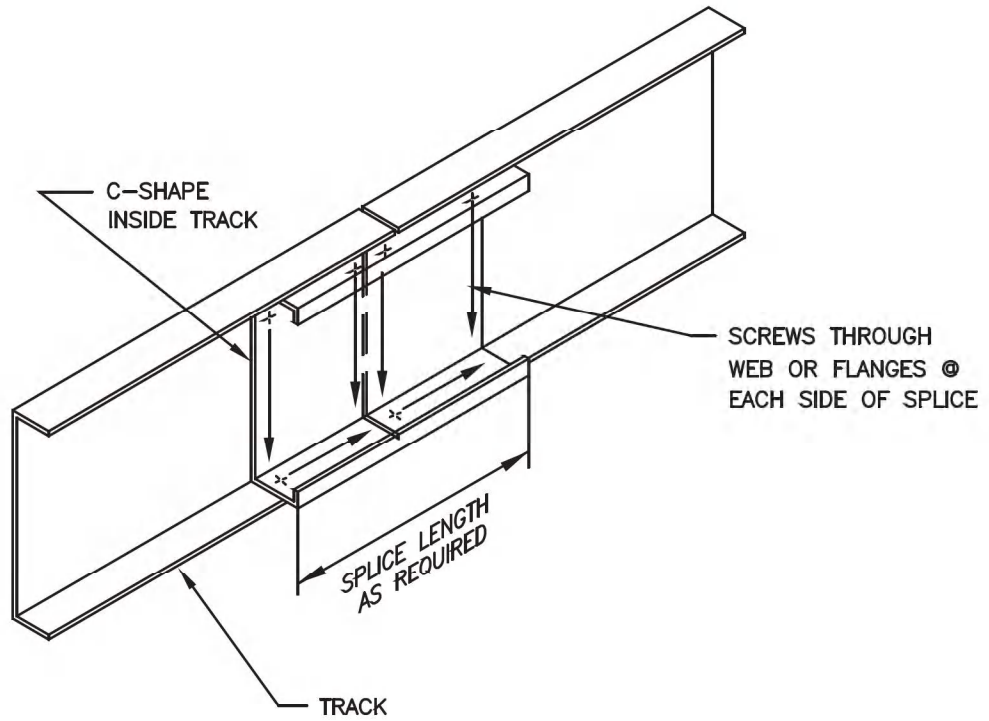
Detail G10
Web Stiffener Detail 2



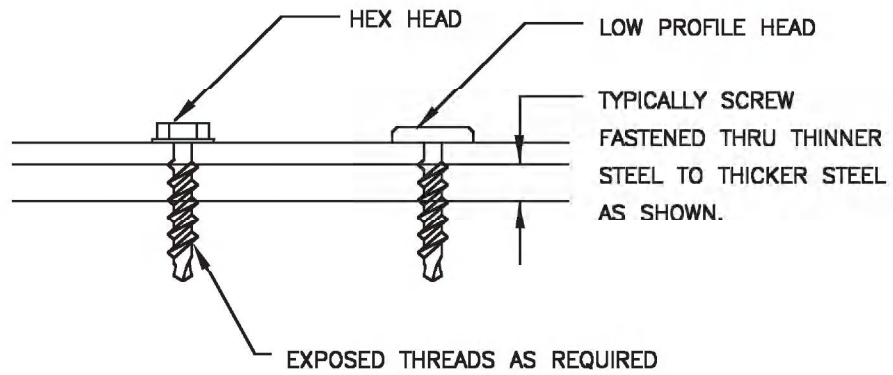
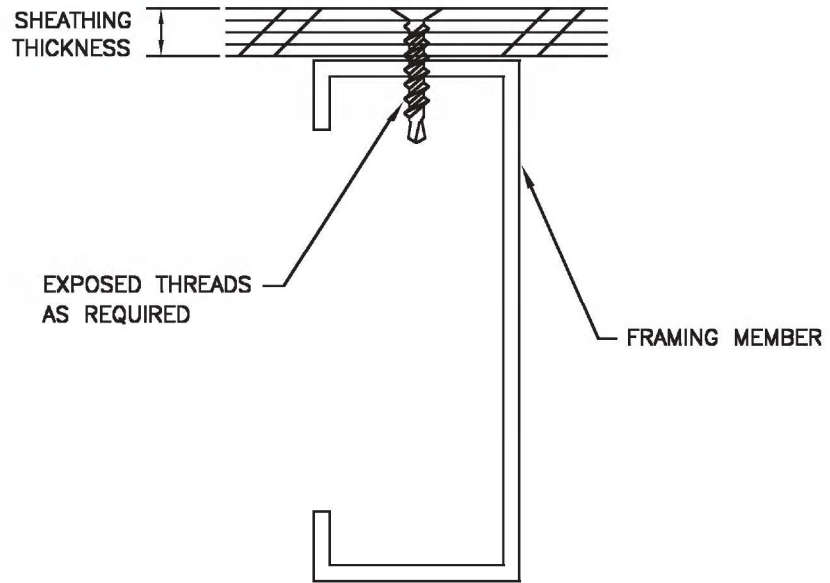
Detail G11
Web Stiffener Detail 3



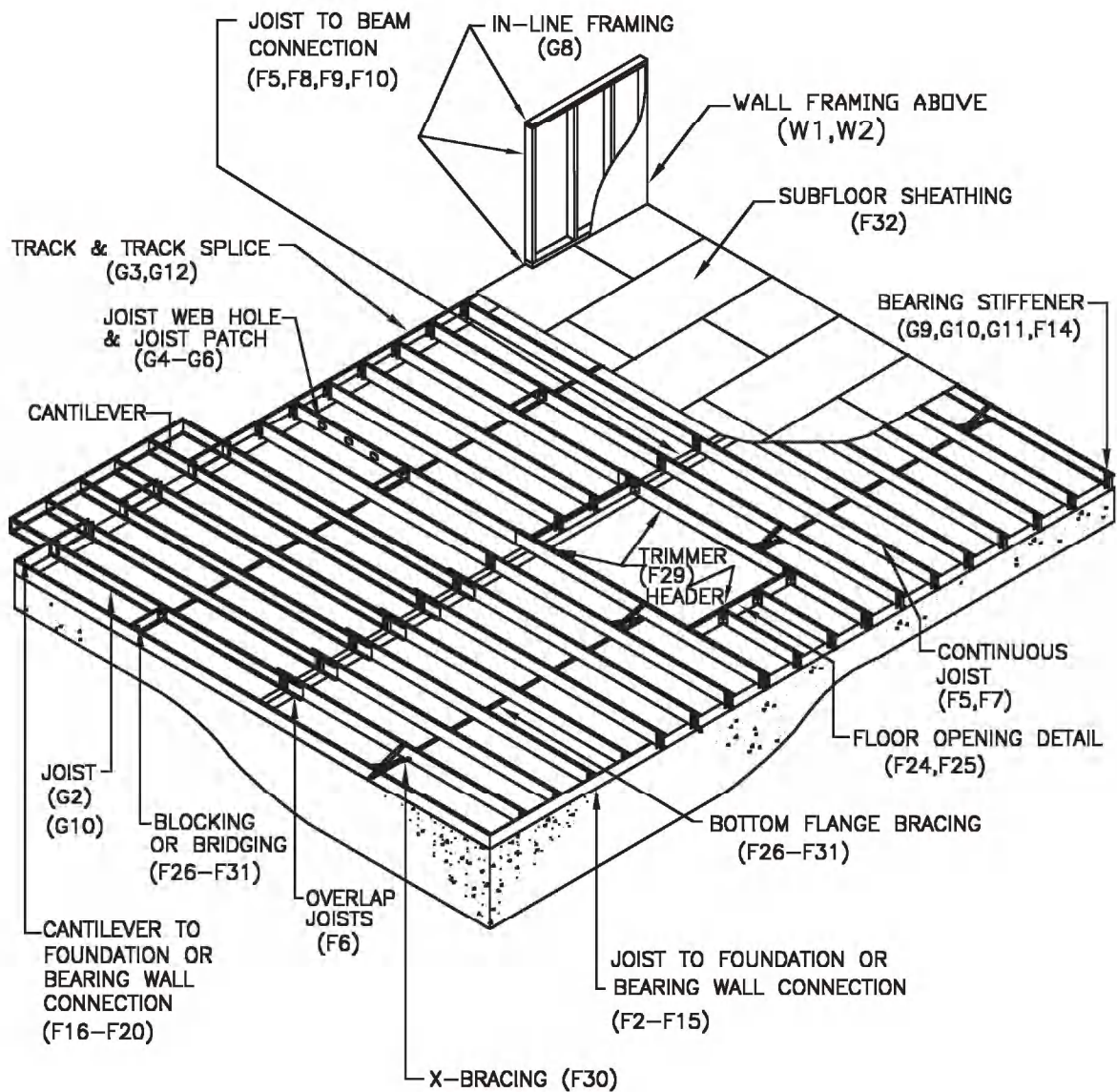
Detail G12
Track Splice Detail



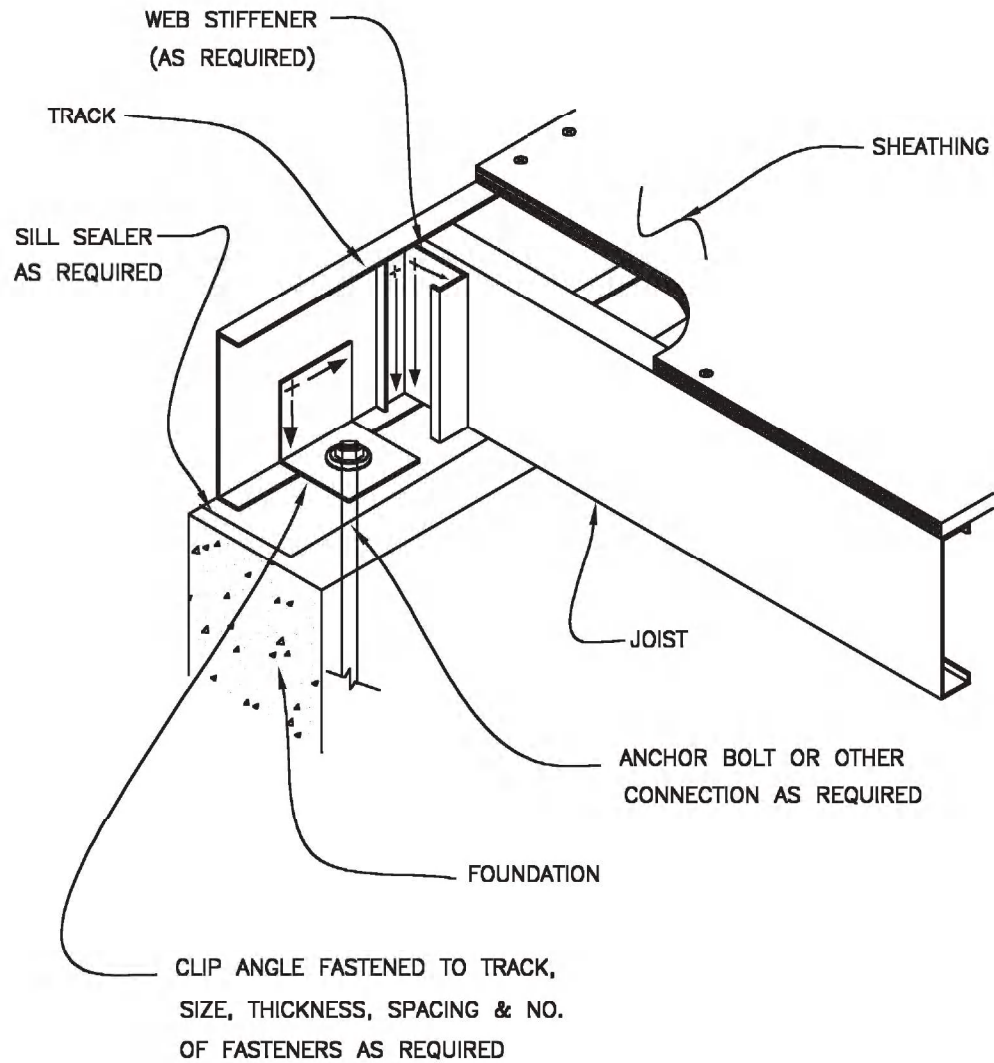
Detail G13
Screw Attachment Detail



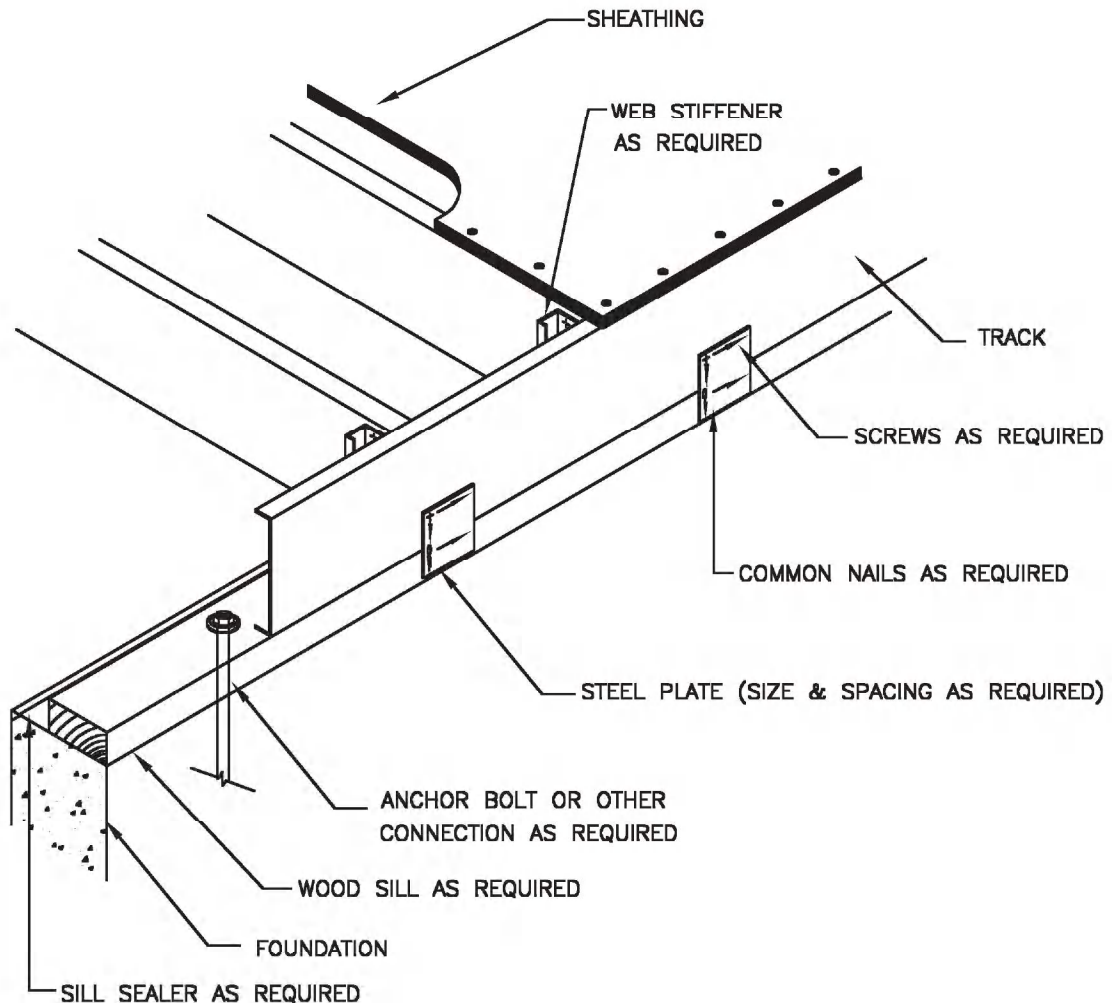
Detail F1 Floor Framing



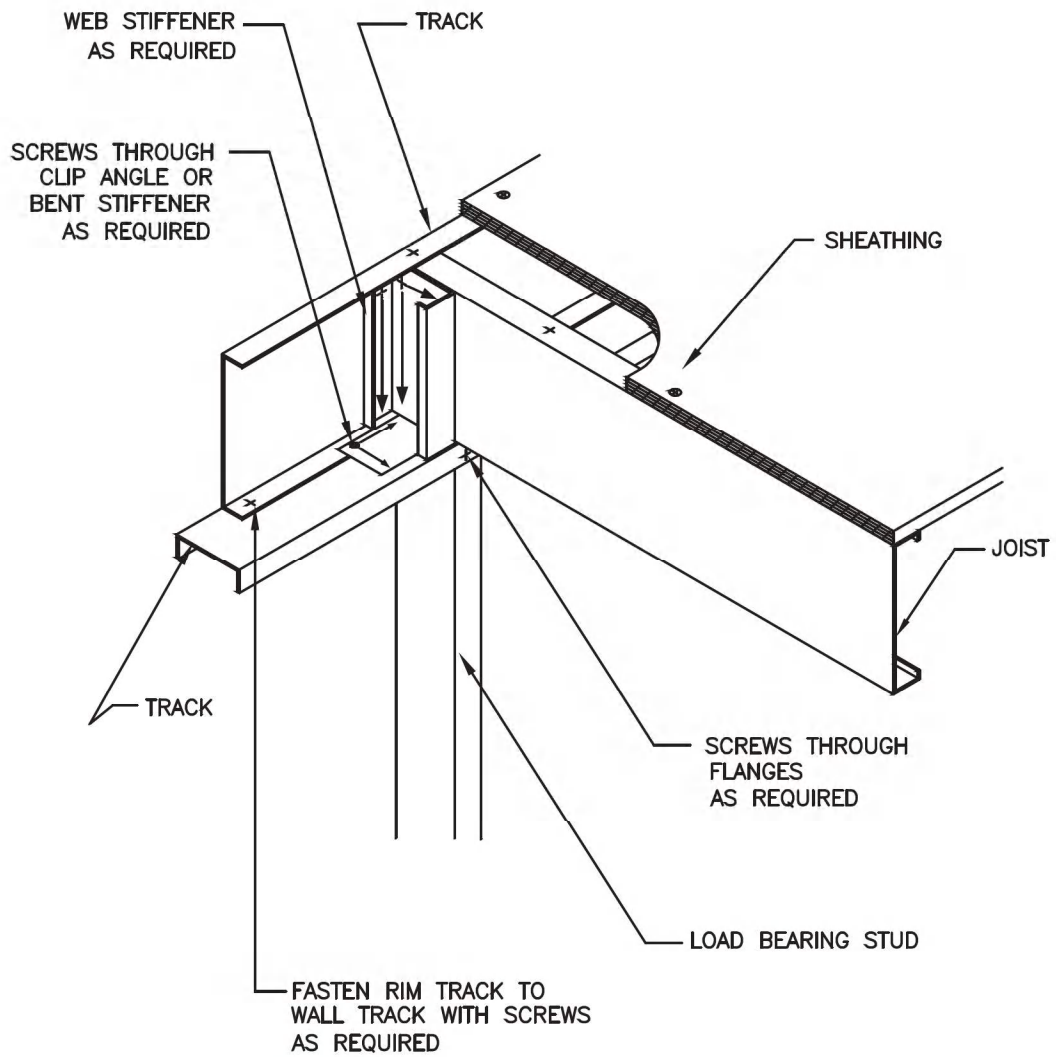
Detail F2
Floor to Foundation Connection



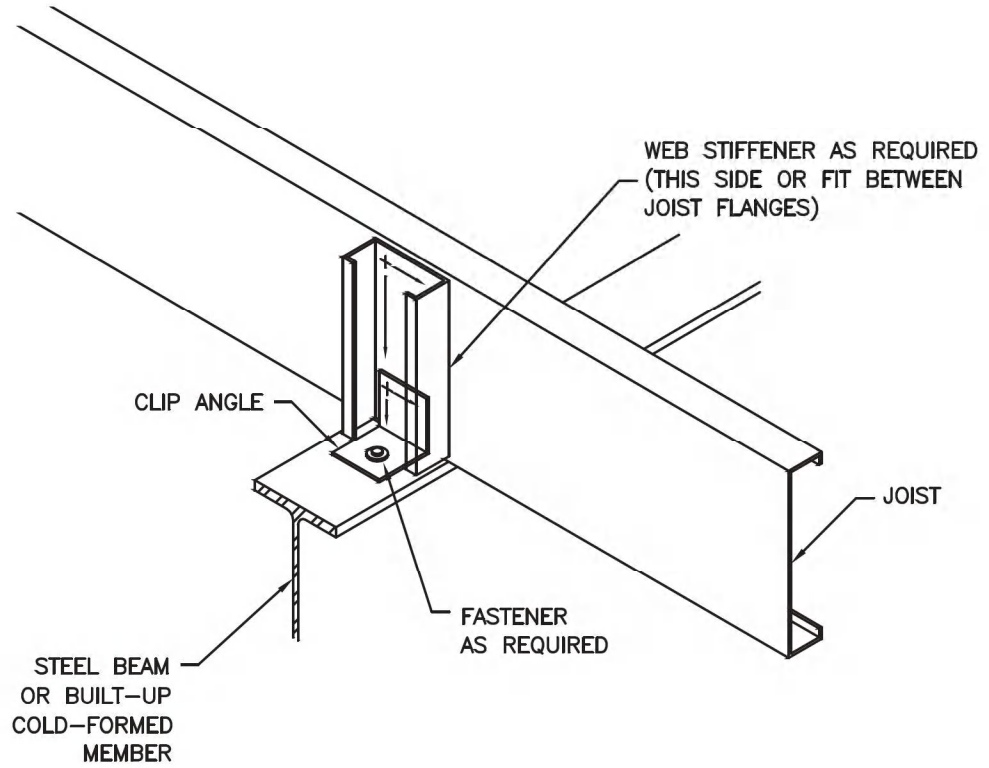
Detail F3
Floor to Wood Sill Connection



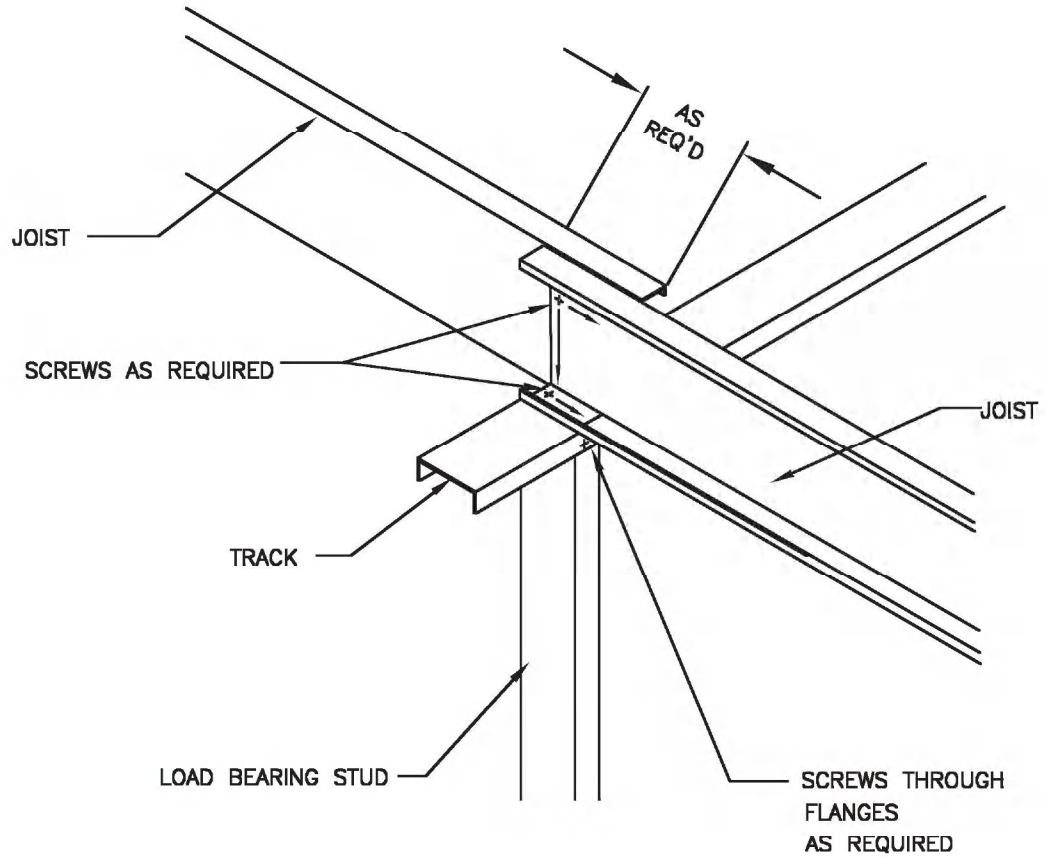
Detail F4
Floor to Load Bearing Wall Connection



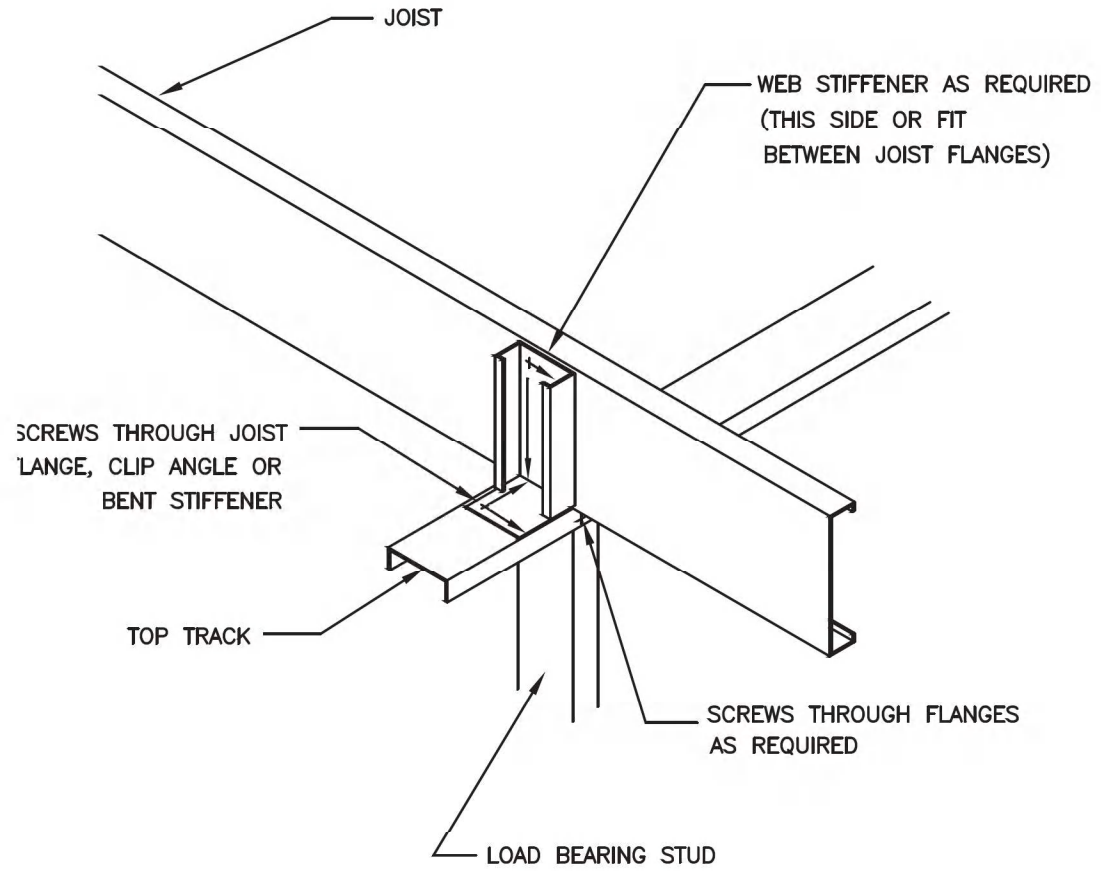
Detail F5
Floor Bearing on I-Beam Connection



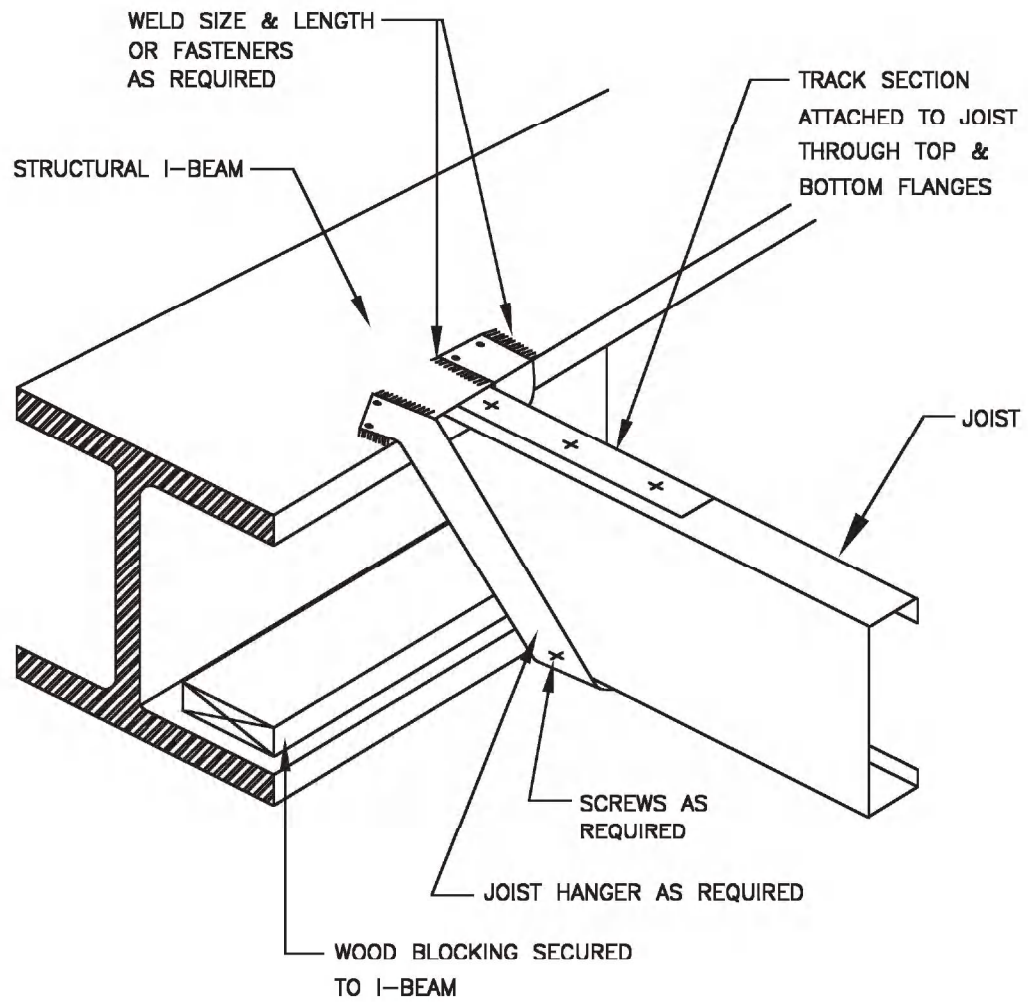
**Detail F6
Lapped Joists**



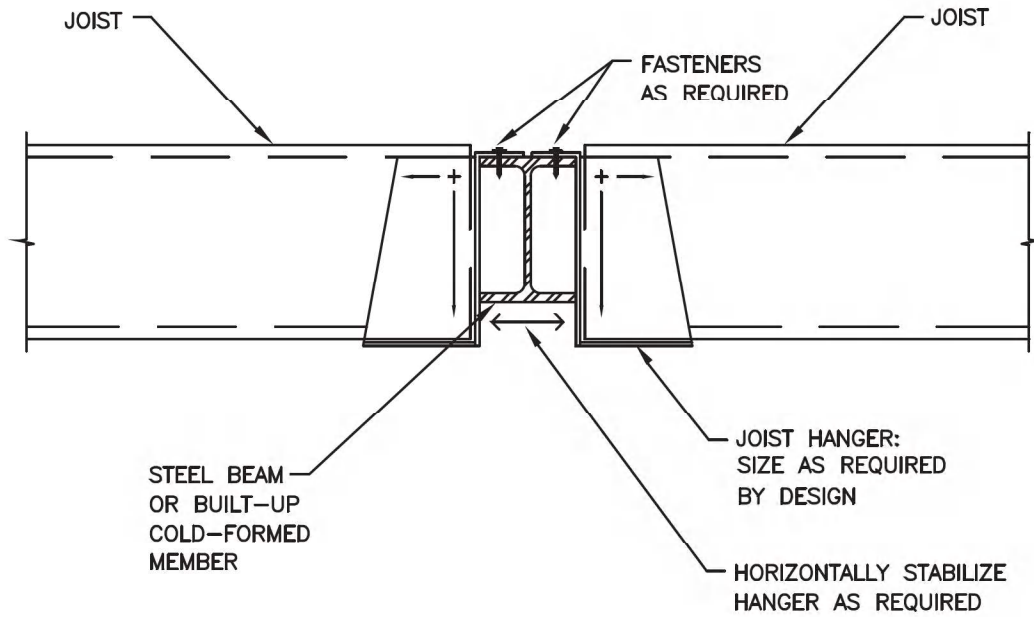
**Detail F7
Continuous Joist**



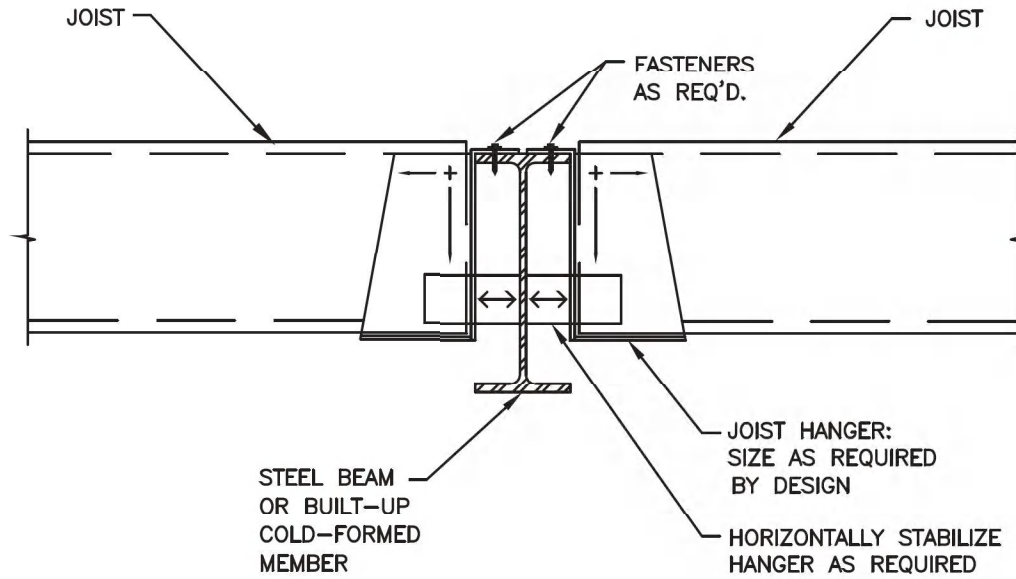
Detail F8
Floor to I-Beam Side Connection



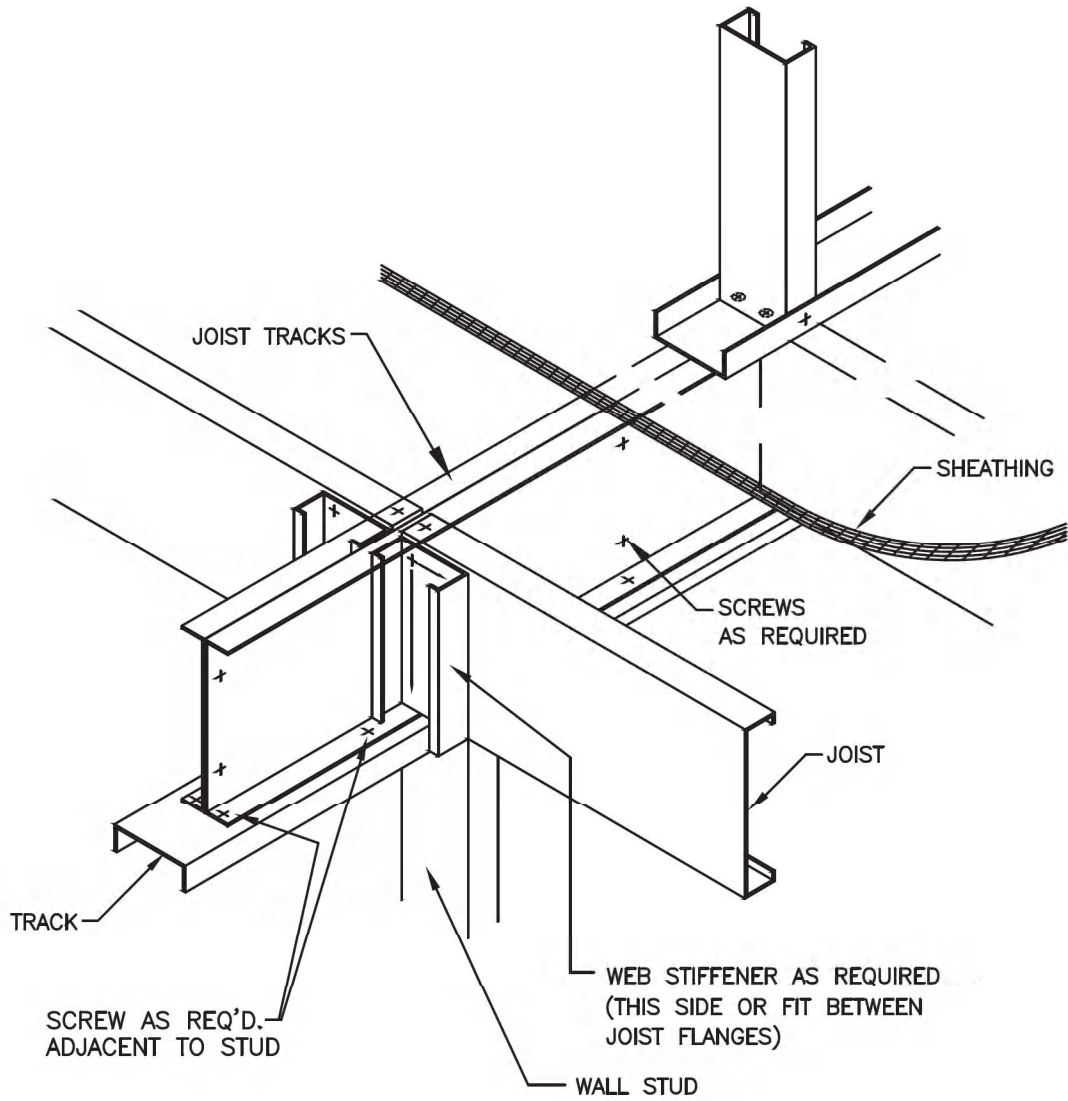
Detail F9
Joists Supported by Shallow I-Beam



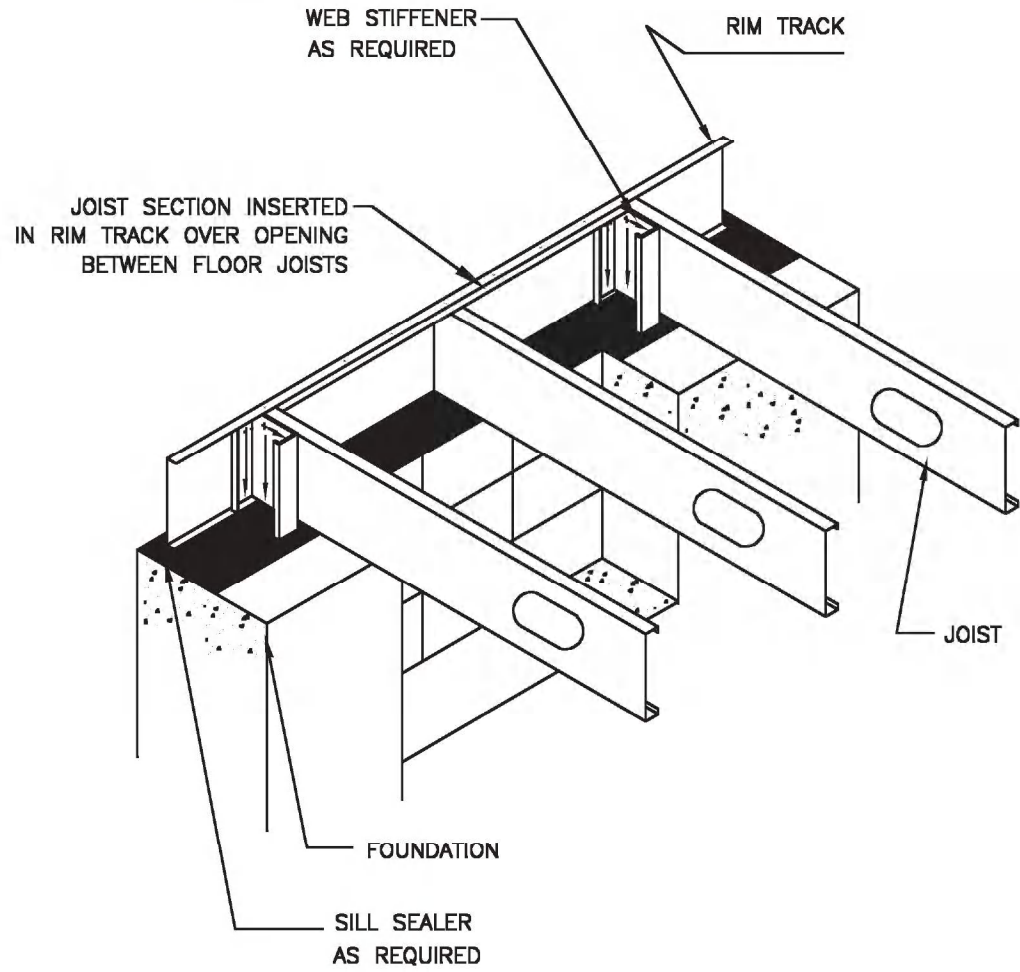
Detail F10
Joists Supported by Deep I-Beam



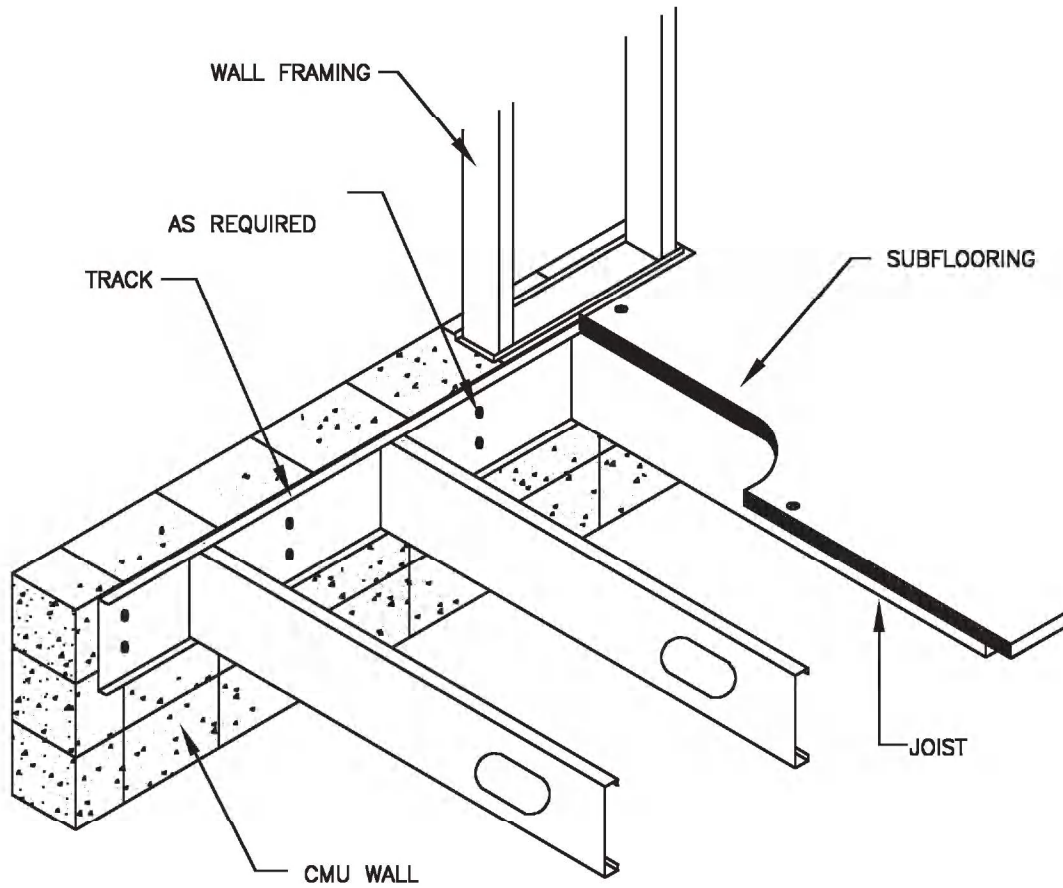
Detail F11
Floor Joists at Interior Bearing Wall



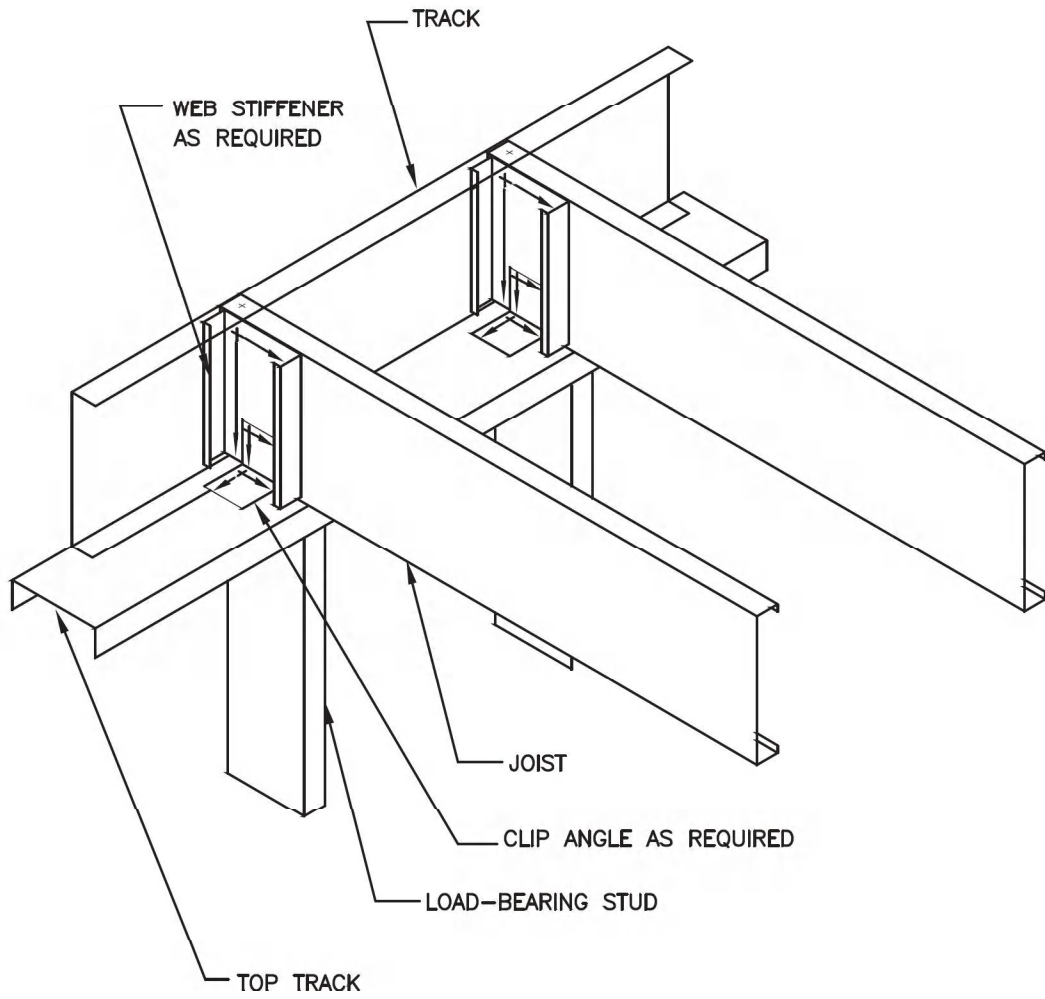
Detail F12
Joists Bearing on Foundation at Opening



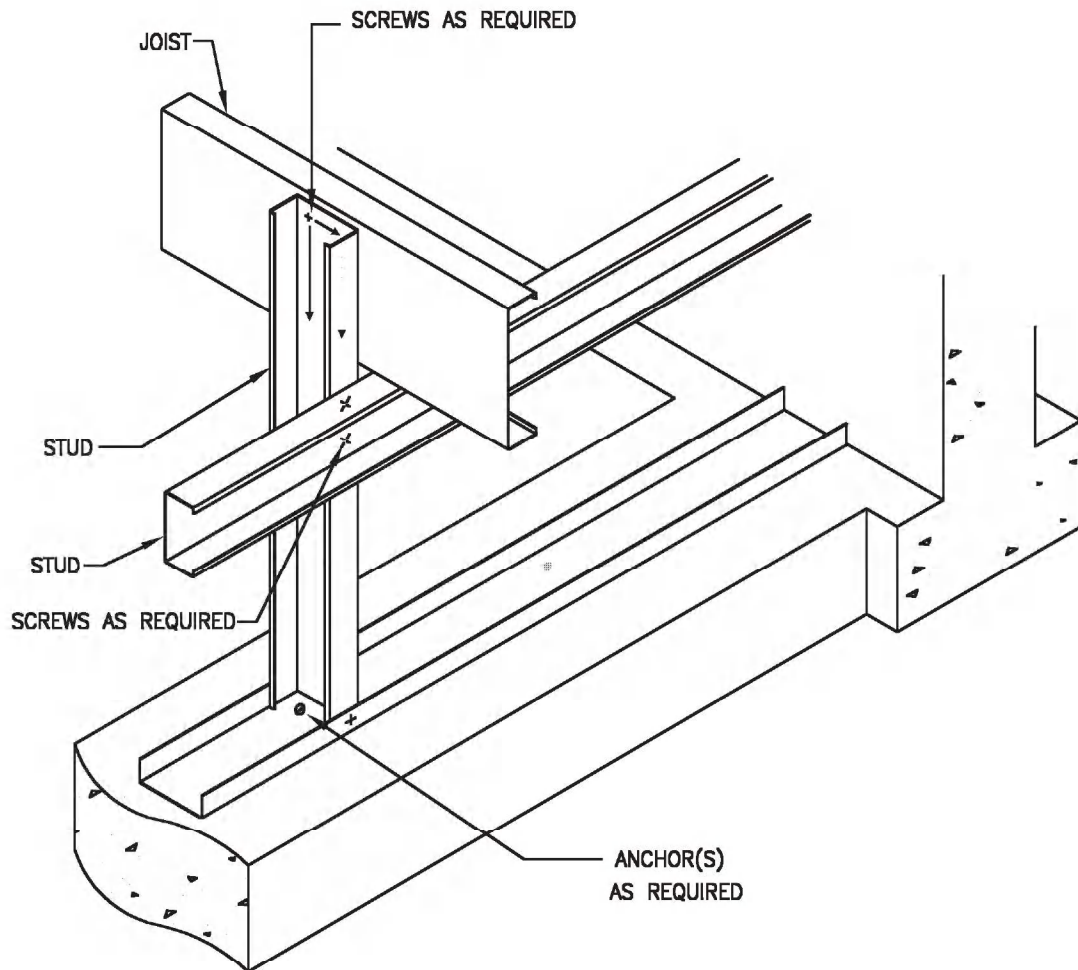
Detail F13
Floor to CMU Wall Side Connection



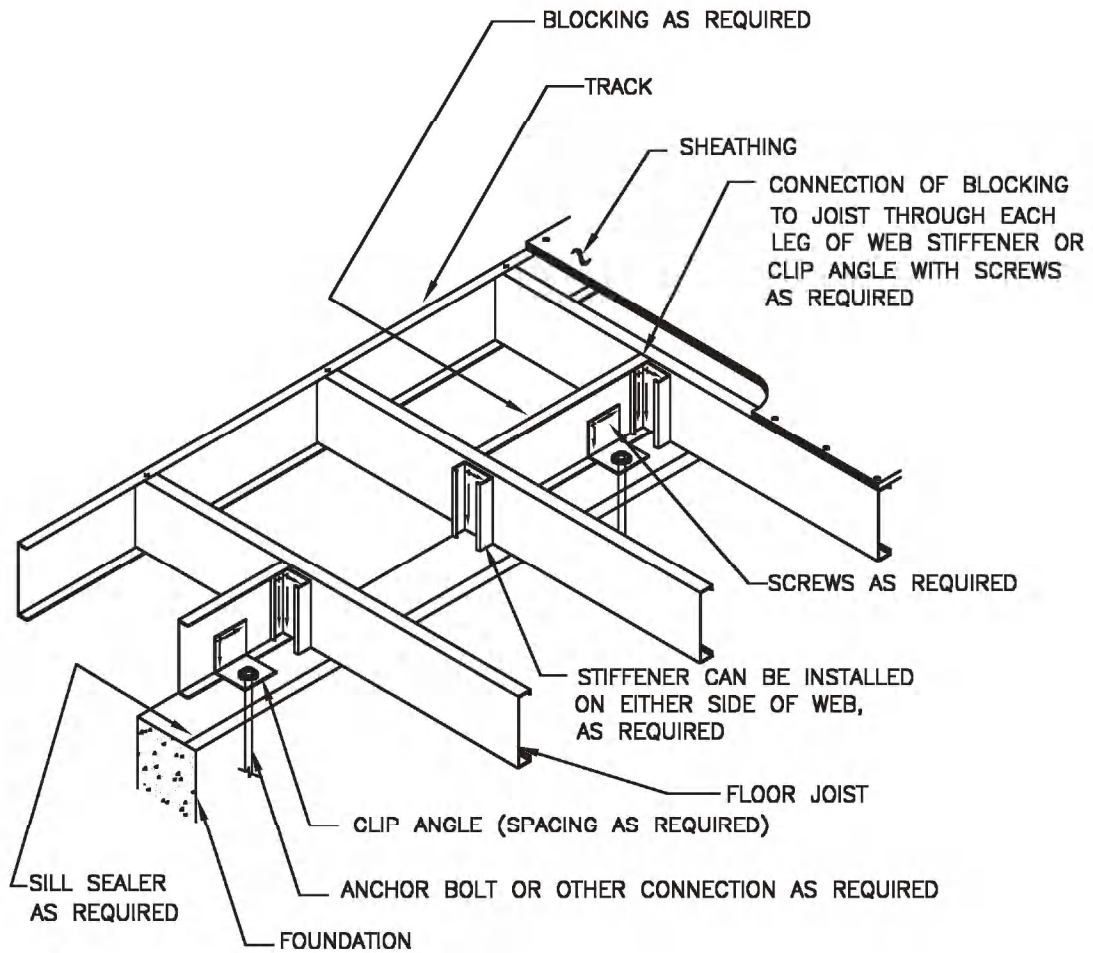
Detail F14
Web Stiffener at Load Bearing Wall



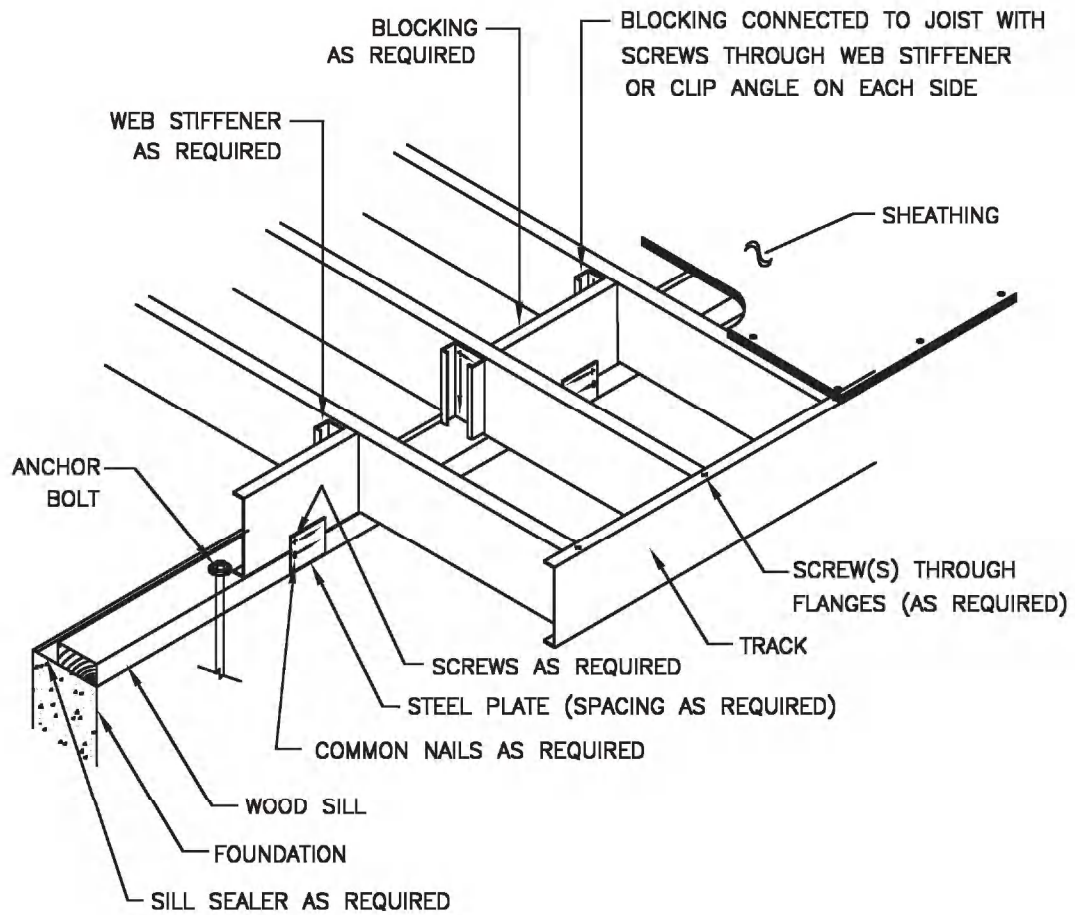
Detail F15
Alternate Pony Wall Detail



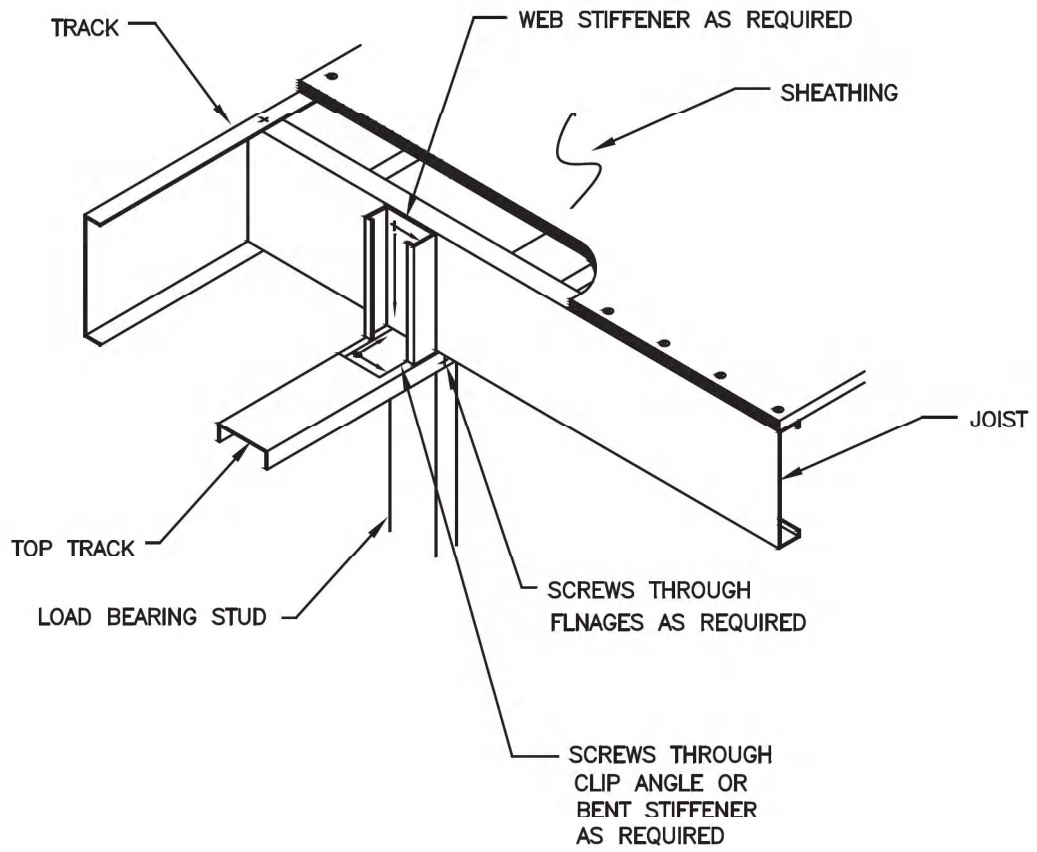
Detail F16
Cantilevered Joist to Foundation Connection



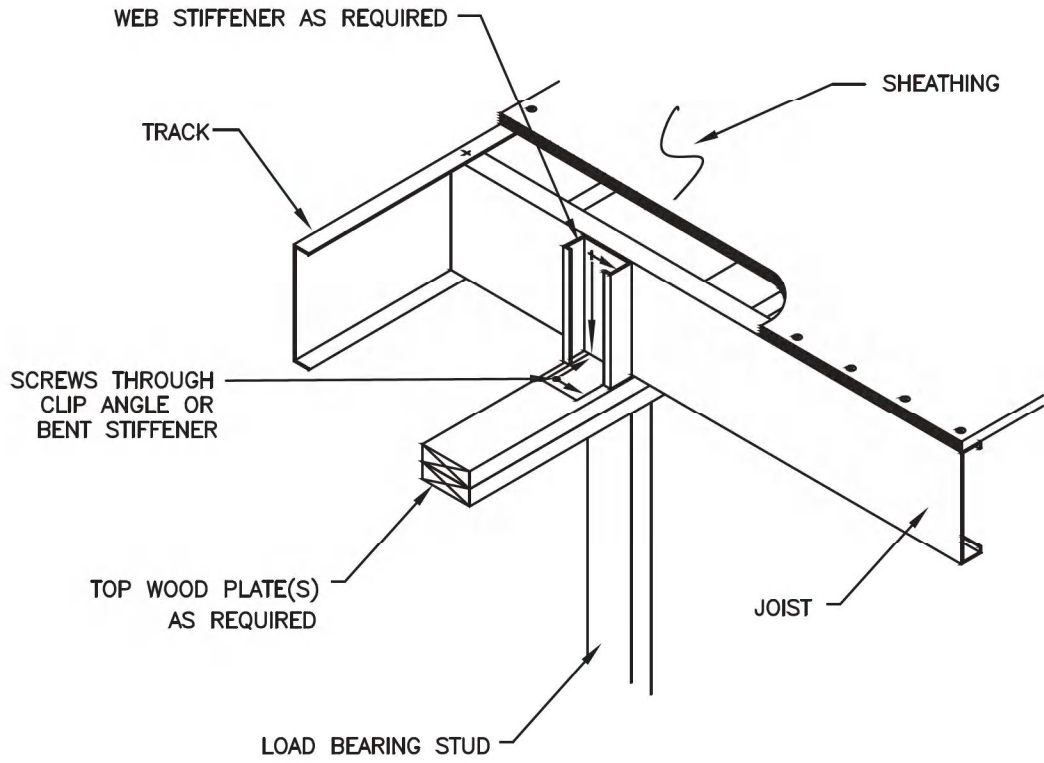
Detail F17
Cantilevered Joist to Wood Sill Connection



Detail F18
Cantilevered Joist to Bearing Wall Connection



Detail F19
Cantilevered Joist to Wood Top Plate Connection



Detail F20
Double Cantilevered Joists

