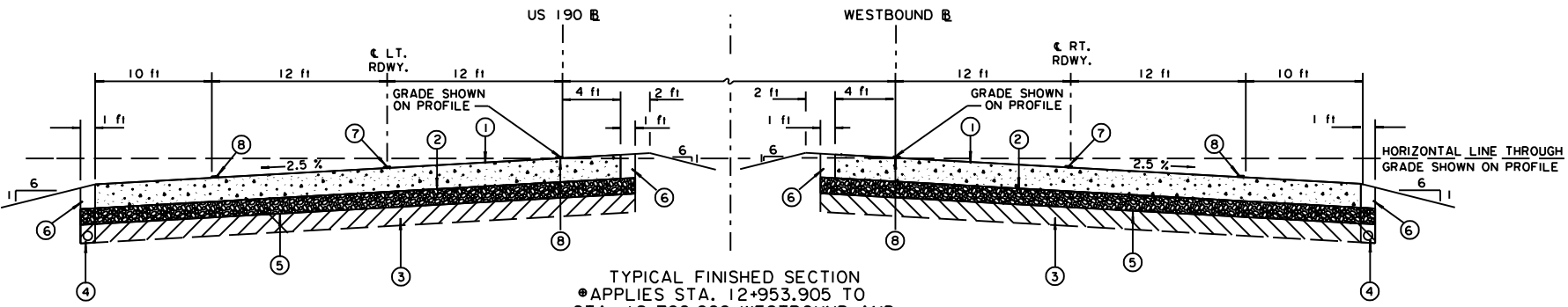


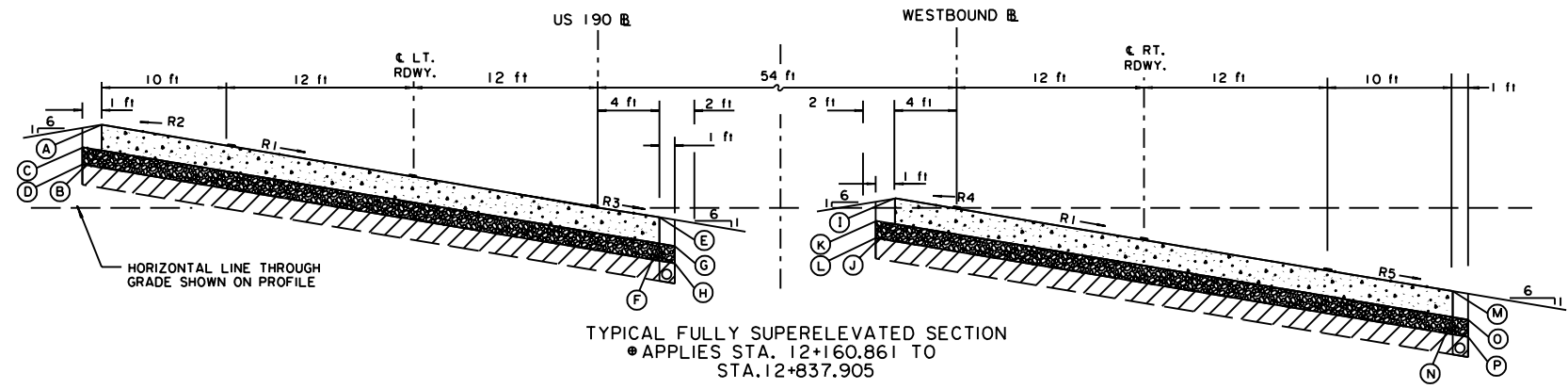
* TO BE USED WHEN "DIST." EXCEEDS 8 ft.
4:1 SLOPE WILL THEN CONTINUE TO DITCH BOTTOM.
Δ -- TO BE CONSTRUCTED FREE OF OBSTRUCTIONS.

TYPICAL GRADING SECTION
● APPLIES STA. 12+963.905 TO STA. 19+650.000



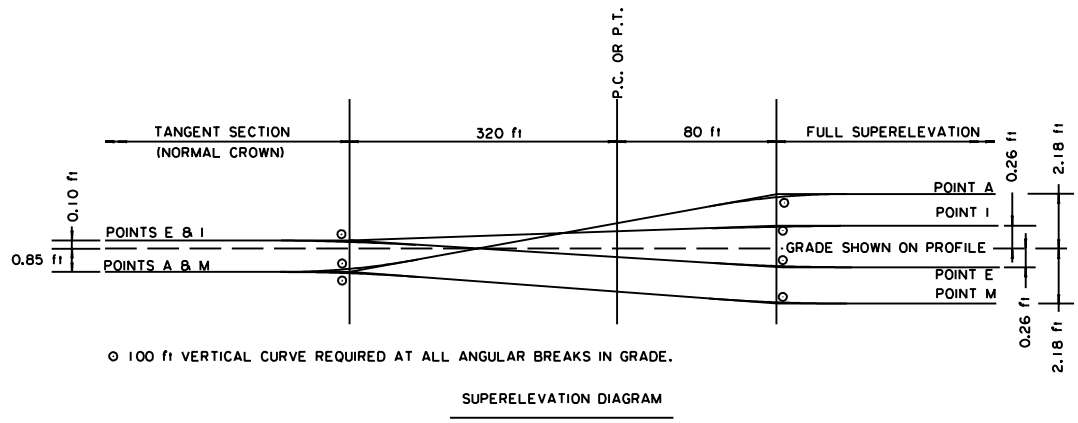
TYPICAL FINISHED SECTION
● APPLIES STA. 12+953.905 TO STA. 19+700.000 WESTBOUND AND STA. 19+300.000 EASTBOUND

- LEGEND
- ① 10.0" JOINTED CONCRETE PAVEMENT
 - ② 10.0" CLASS II BASE COURSE (CRUSHED STONE OR RECYCLED PCCP ONLY)
 - ③ 12" LIME SLURRY TREATMENT, TYPE 'D', 9% BY VOL (AS DIRECTED BY THE PROJECT ENGINEER)
 - ④ SHOULDER UNDERDRAIN (ENCAPSULATED WITH GEOTEXTILE FABRIC)
 - ⑤ GEOTEXTILE FABRIC (REQ'D BETWEEN CLASS II BASE COURSE AND SUBGRADE)
 - ⑥ EMBANKMENT (NO DIRECT PAY)
 - ⑦ PAVEMENT STRIPING & REFLECTORIZED MARKERS
 - ⑧ PAVEMENT STRIPING



TYPICAL FULLY SUPERELEVATED SECTION
● APPLIES STA. 12+160.861 TO STA. 12+837.905

● THE LIMITS OF THE TYPICAL SECTIONS DO NOT INCLUDE SUPERELEVATION TRANSITIONS.



SUPERELEVATION DETAILS (IN FEET) WITH REFERENCE TO HORIZONTAL LINE THROUGH GRADE SHOWN ON PROFILE

RADIUS OF CURVE	R1	R2	R3	R4	R5	A	B	C	D	E	F	G	H	I	J	K	L	M	N	O	P	TRANSITION LENGTH
2972.441 ft	-6.40	-6.40	-6.40	-6.40	-6.40	2.18	1.34	1.41	0.57	-0.26	-0.58	-0.64	-1.47	0.26	-0.58	-0.51	-1.35	-2.18	-3.01	-3.07	-3.91	400 ft

NEGATIVE RATES DENOTE DOWN FROM LEFT TO RIGHT.

NOTE: THE SECTION TO BE USED AT ANY PARTICULAR LOCATION SHALL BE AS SHOWN ON THE CROSS SECTIONS, UNLESS OTHERWISE DIRECTED BY THE PROJECT ENGINEER.

Figure 8-16, Typical Section, Rural, 4-lane Divided, Concrete